

Sq M8x90

- 14 set

(a)



ø6x150

- 10 pcs.

(b)



ø6x130

- 28 pcs.

(c)



ø5x100

- 52 pcs.

(d)



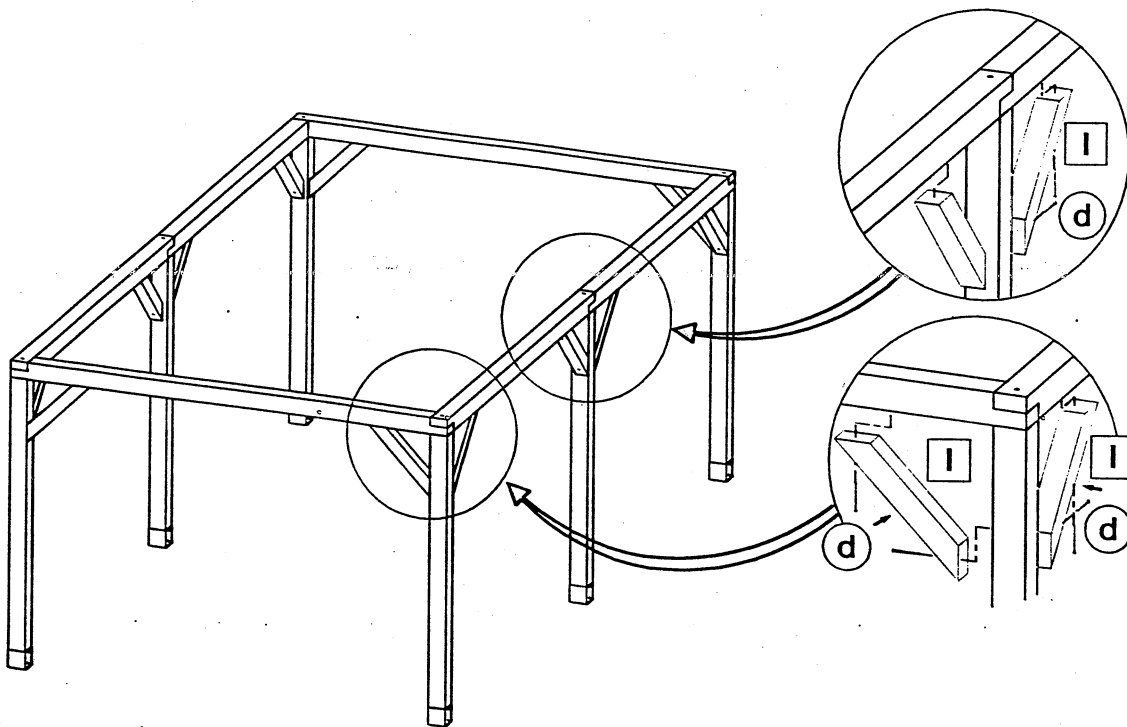
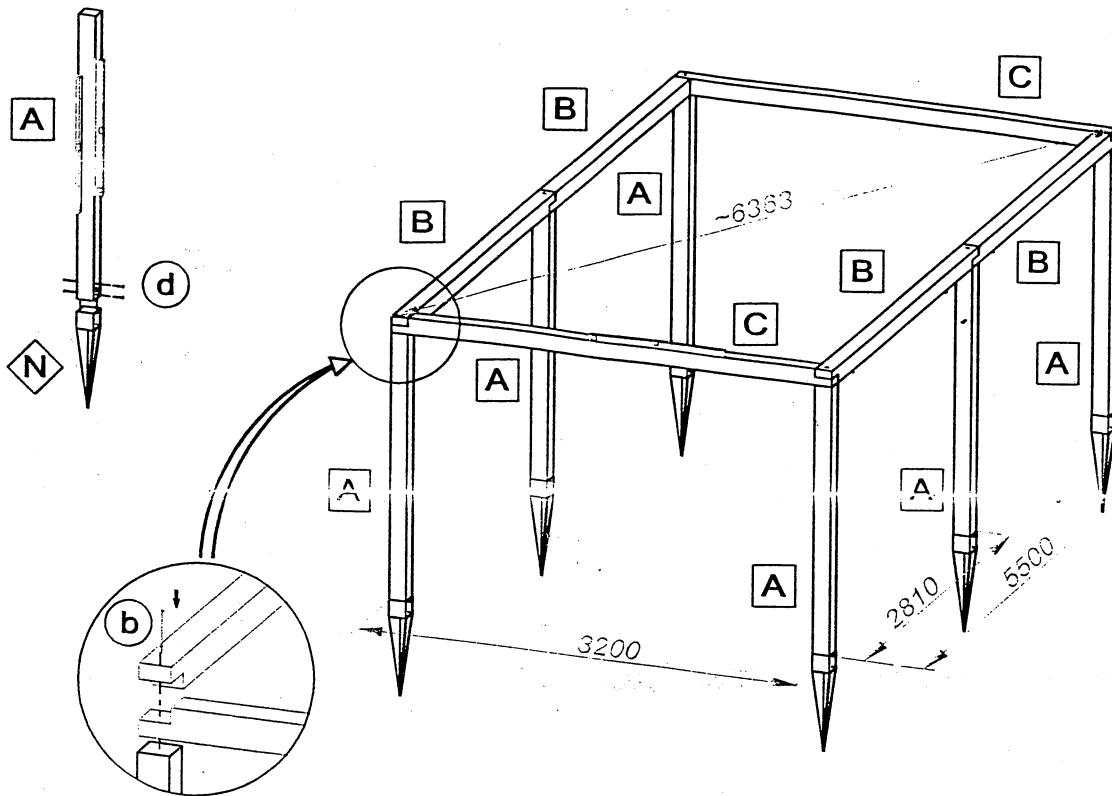
ø2,2x50

- 1,5 kg

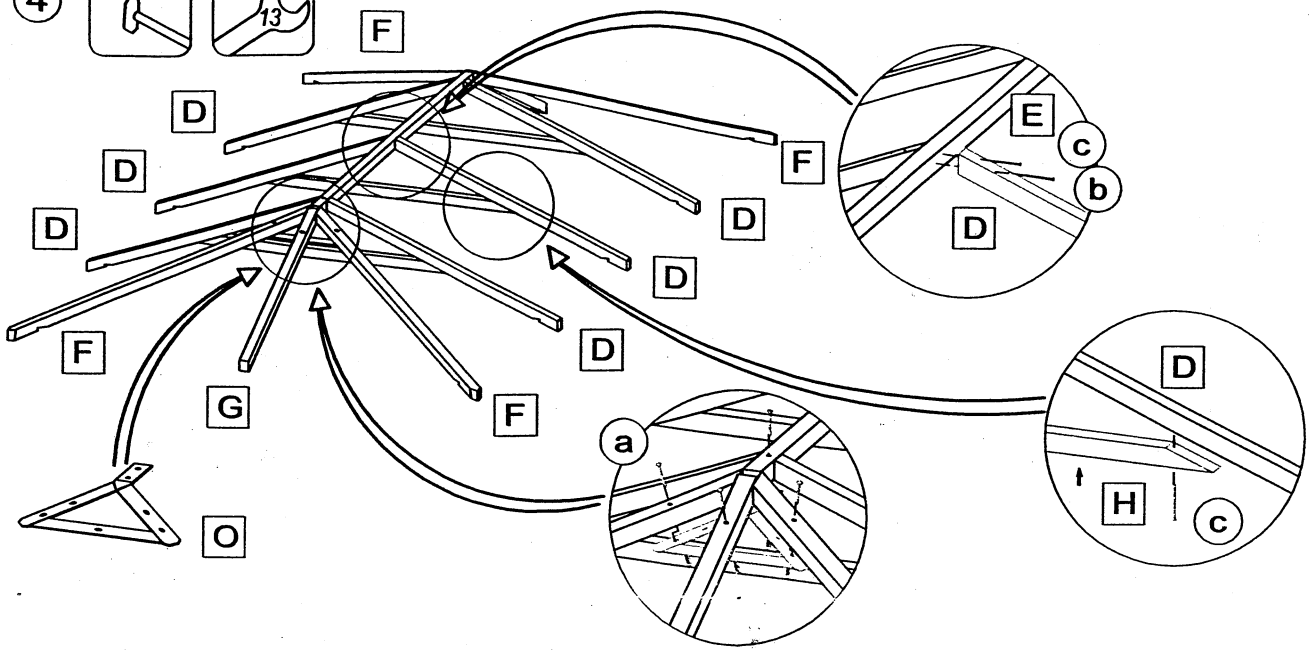
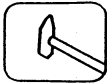
(e)

Component

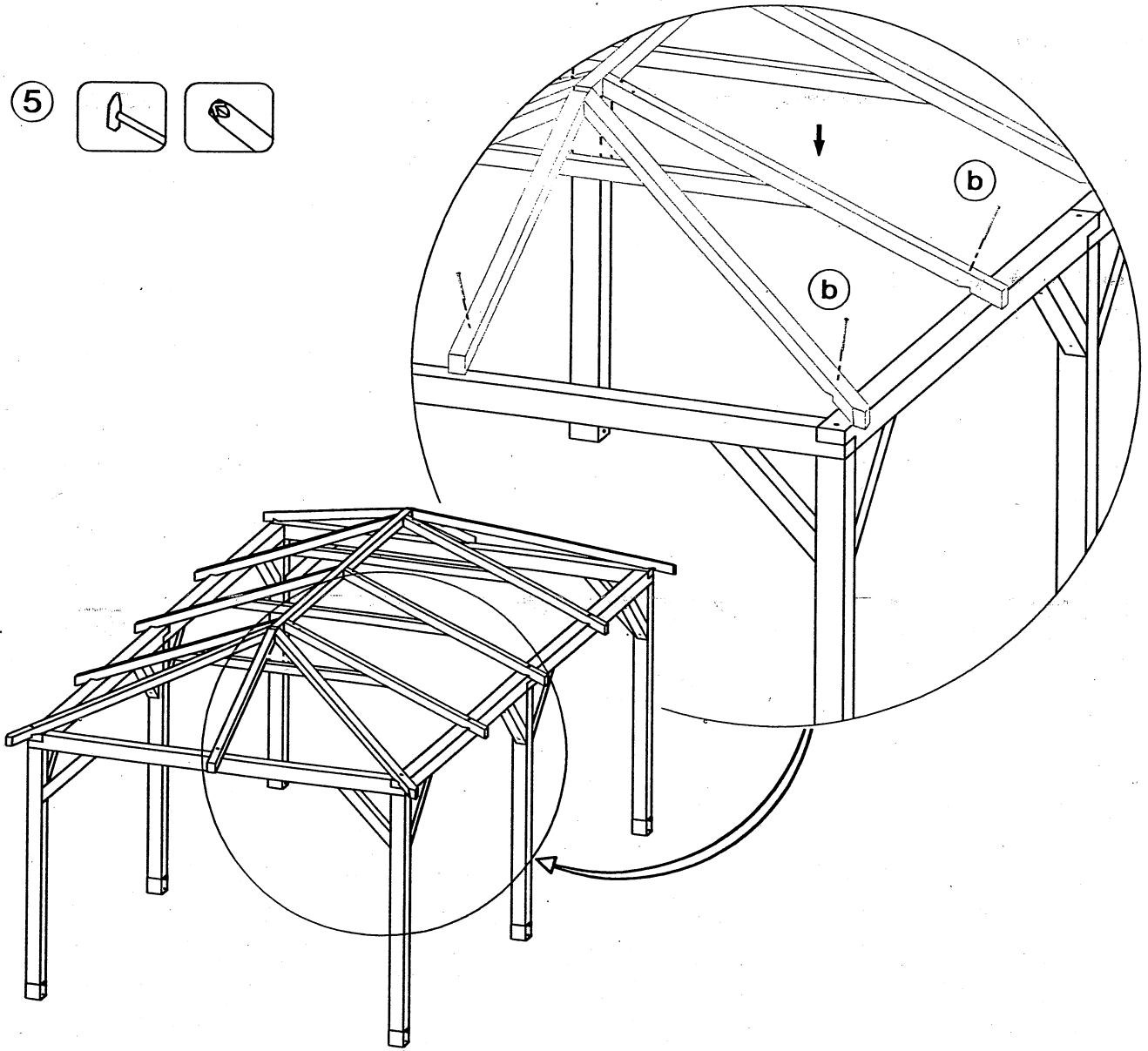
A	Beam 120x120x2100	6 pcs.
B	Beam 120x120x2810	4 pcs.
C	Beam 120x120x3200	2 pcs.
D	Beam 70x70x1862	6 pcs.
E	Beam 70x70x3000	1 pcs.
F	Beam 70x70x2327	2+2 pcs.
G	Beam 70x70x1540	2 pcs.
H	Beam 70x70x1850	3 pcs.
I	Beam 90x90x640	12 pcs.
J...	Board 15x90x...	x4 pcs.
K...	Board 15x90x...	x2 pcs.
L	Board 15x90x2900	4 pcs.
M	Board 15x90x3470	2 pcs.
N	Picket	6 pcs.
O	Crown	2 pcs.



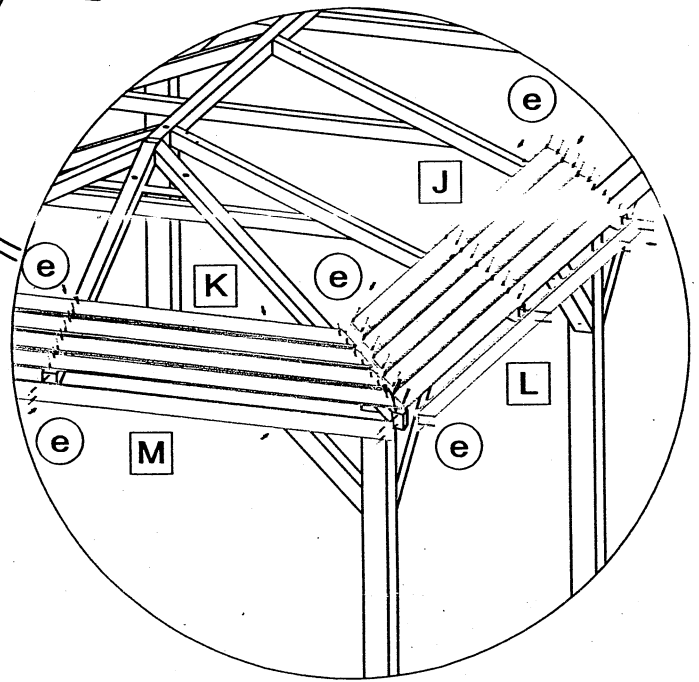
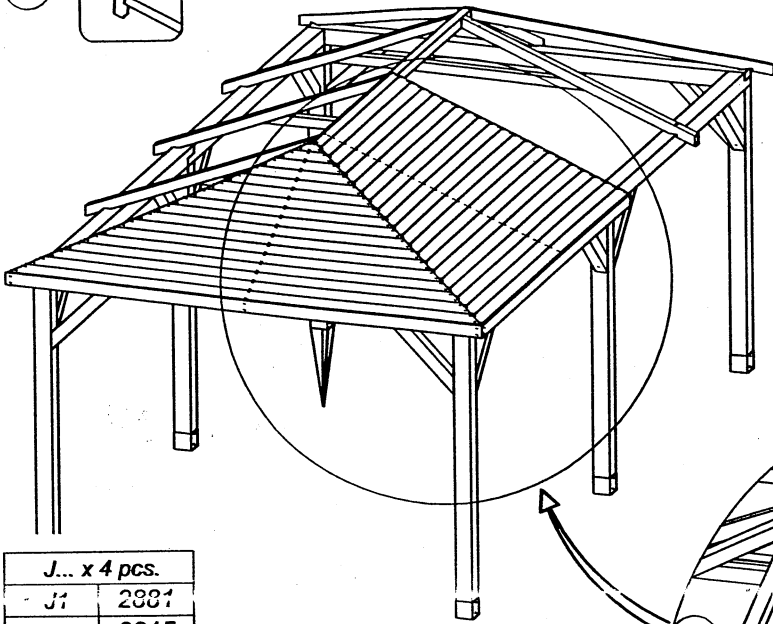
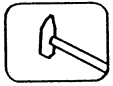
4



5



6



J... x 4 pcs.	
J1	2881
J2	2815
J3	2749
J4	2682
J5	2616
J6	2550
J7	2484
J8	2418
J9	2352
J10	2285
J11	2219
J12	2153
J13	2087
J14	2021
J15	1955
J16	1888
J17	1822
J18	1756
J19	1690
J20	1624
J21	1558

K... x 2 pcs.	
K1	3453
K2	3251
K3	3048
K4	2846
K5	2644
K6	2442
K7	2239
K8	2037
K9	1835
K10	1632
K11	1430
K12	1228
K13	1026
K14	823
K15	621
K16	419
K17	217

