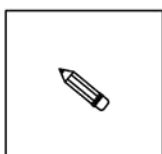
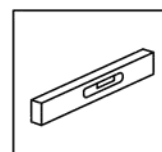
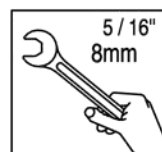
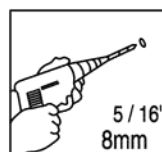
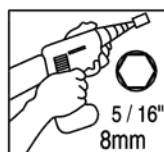
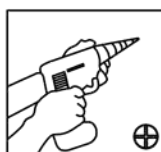
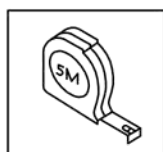
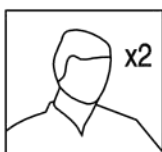
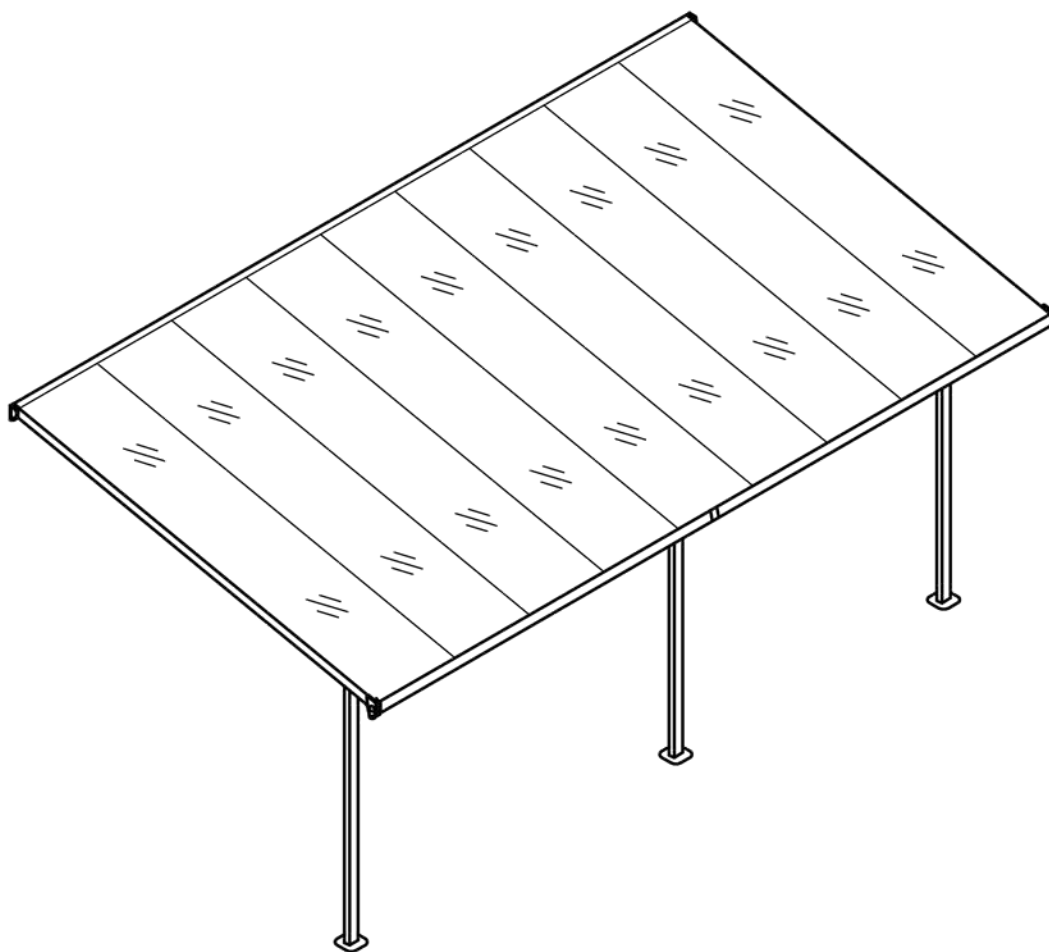


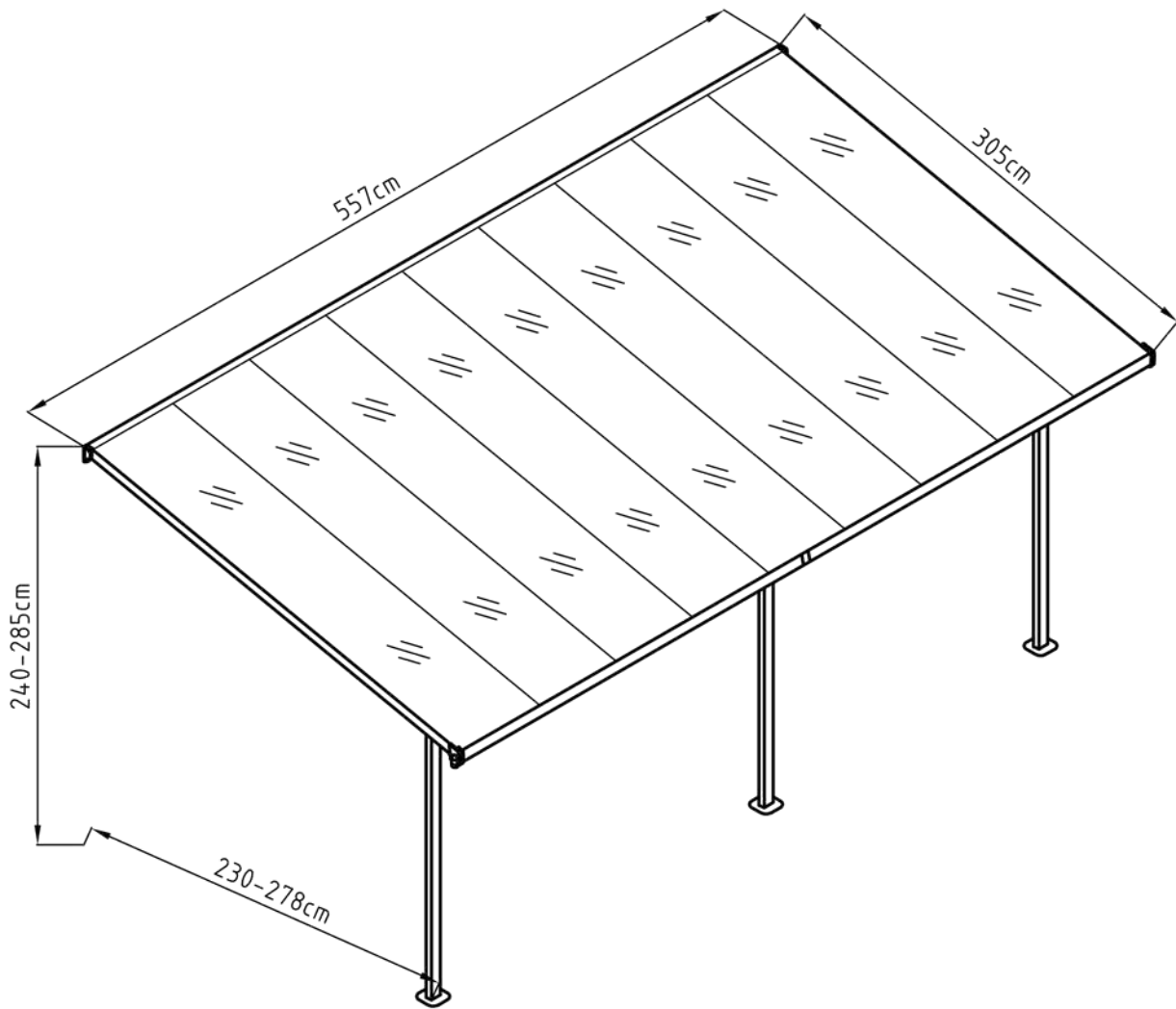
# Patiocover/Terrasoverkapping/Pergola

## Owner's manual/Handleiding/Manuel d'utilisation

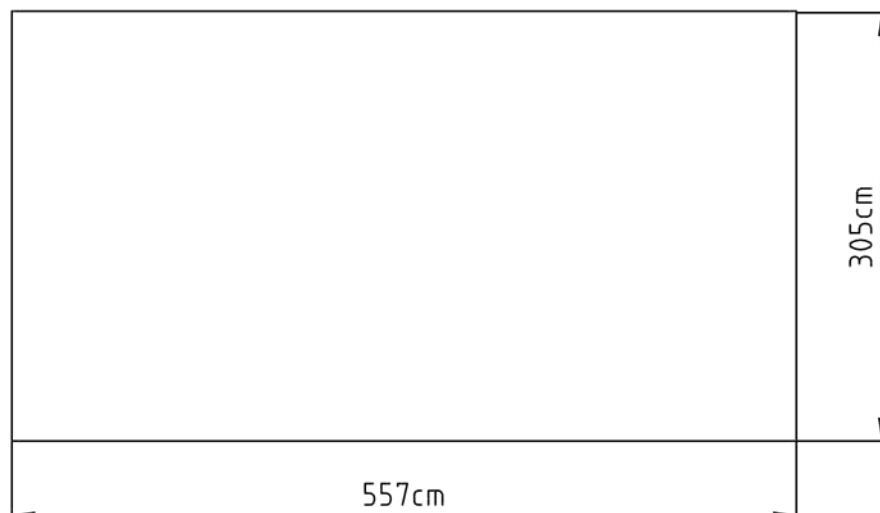
- ⓔ Assembly Instructions for Bruce H
- Ⓝ Montage instructies voor Bruce H
- ⓕ Instructions de montage pour Bruce H

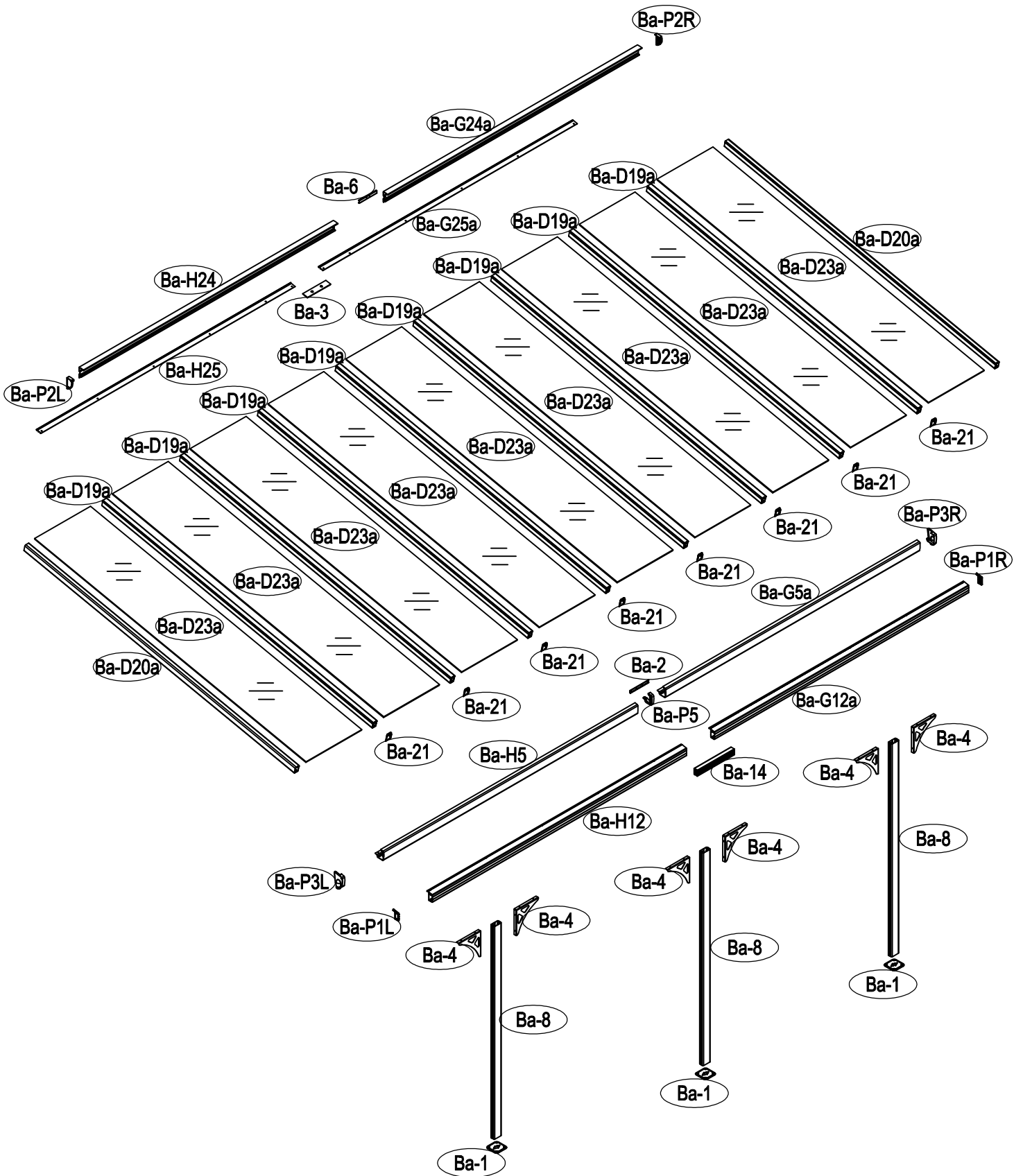



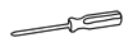













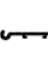










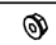


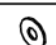



## Size/Afmetingen/Dimensions:

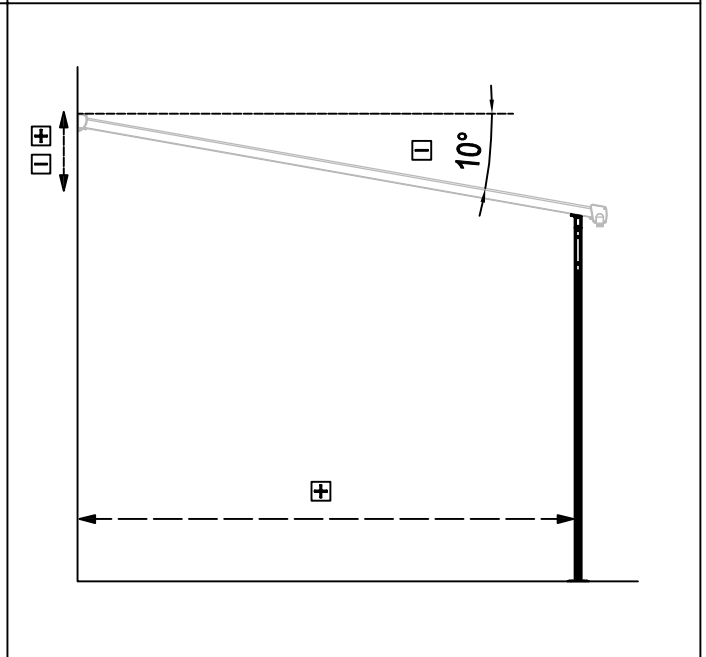
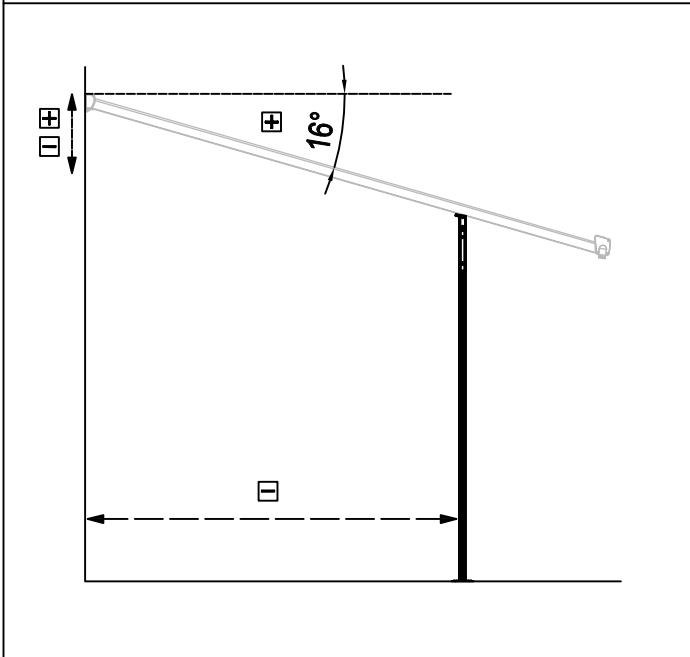
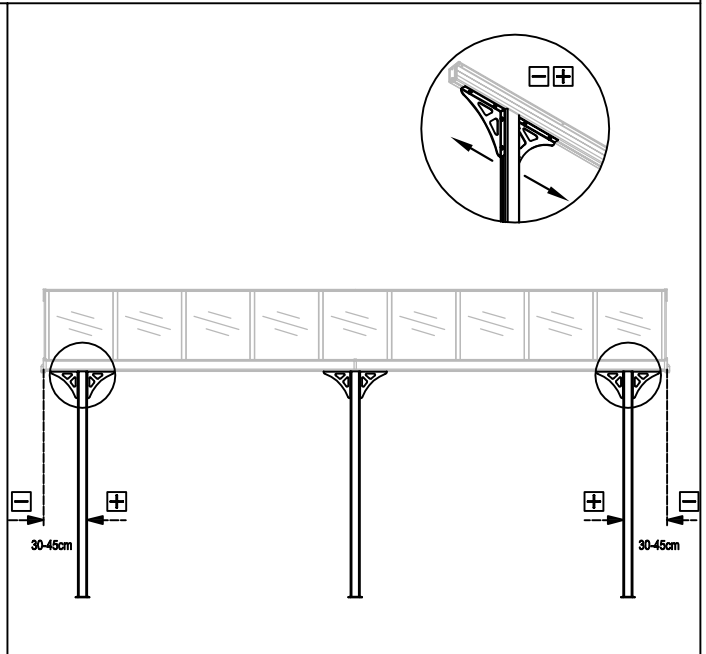
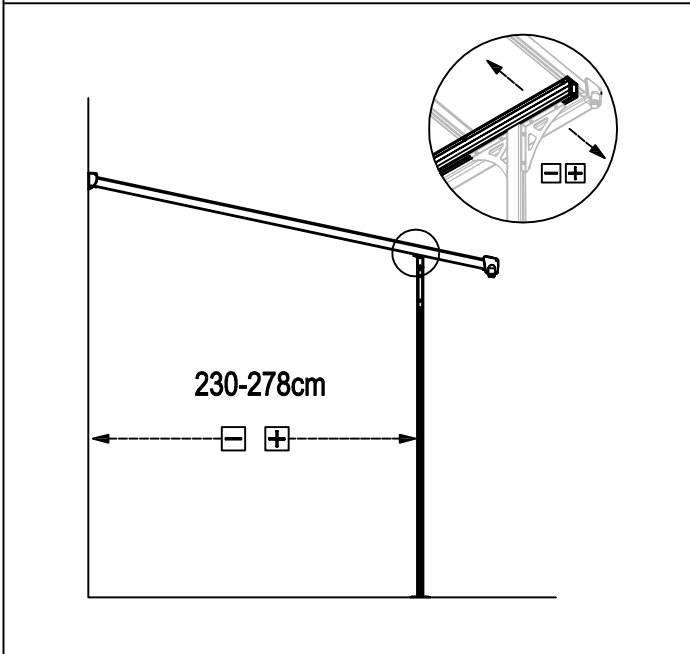
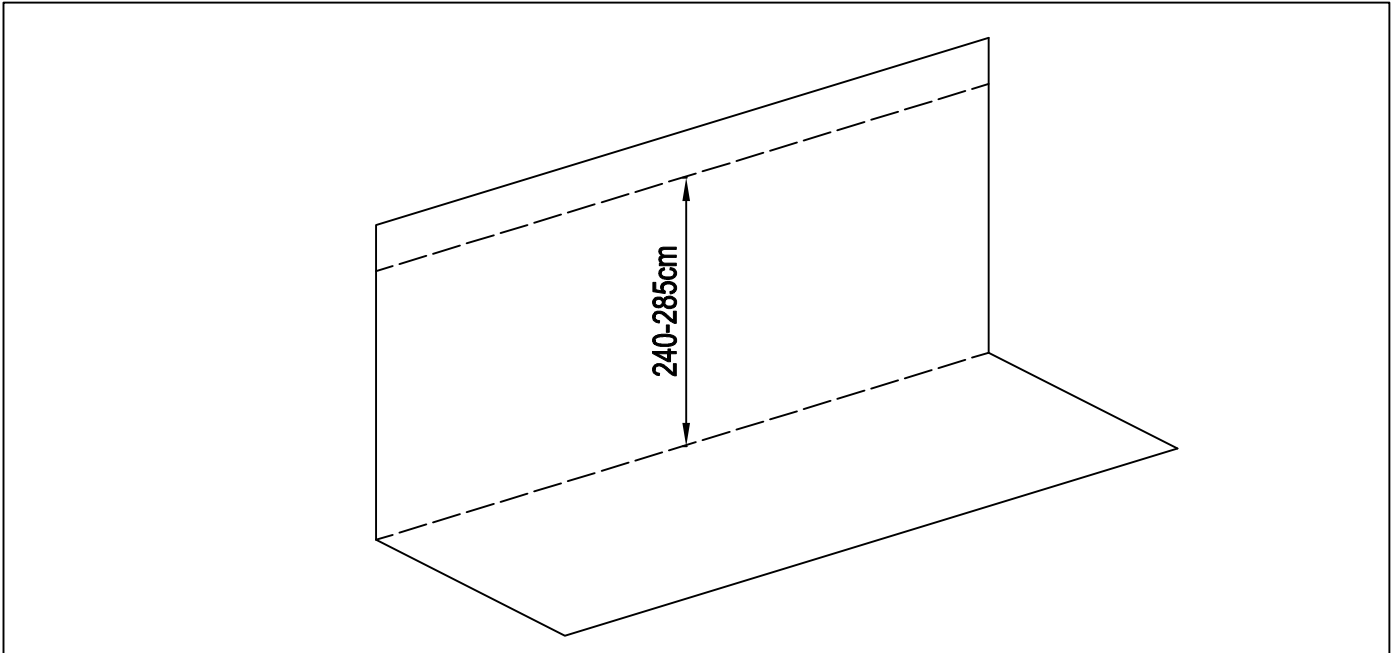


## Area of installation requirement / Vereisten installatiegebied / Réquisitions pour l'endroit de l'installation:

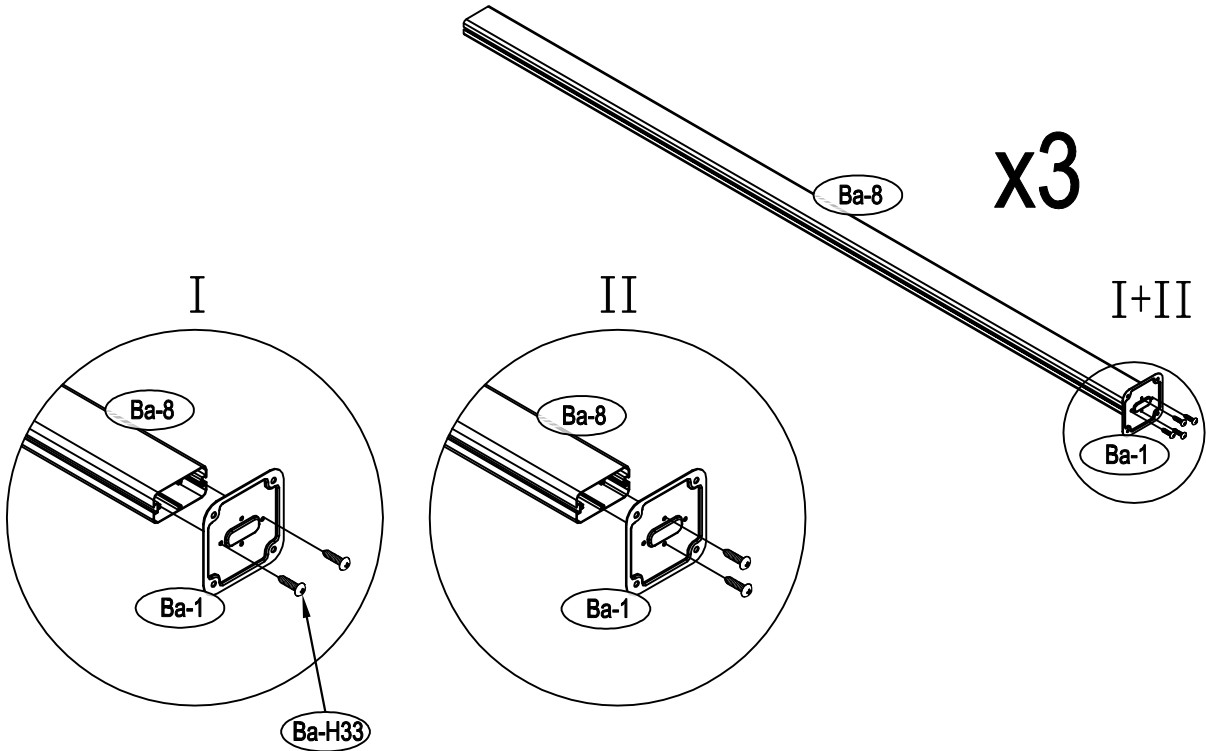




No. /Nr.	Image/Afbeelding	mm	QTY/Aantal /Quantité	No. /Nr.	Image/Afbeelding	mm	QTY/Aantal /Quantité
Ba-1		120	x3				x1
Ba-2		200	x1			10-12mm	x1
Ba-3		100	x1				
Ba-4		270	x6				
Ba-6		190	x1				
Ba-8		2000	x3				
Ba-14		400	x1				
Ba-D19a		3000	x8				
Ba-D20a		3000	x2				
Ba-21			x8				
Ba-H5		2759	x1				
Ba-G5a		2759	x1				
Ba-H12		2759	x1				
Ba-G12a		2759	x1				
Ba-H24		2759	x1				
Ba-G24a		2759	x1				
Ba-H25		2759	x1				
Ba-G25a		2759	x1				
Ba-D23a		3010	x9				
Ba-P1L			x1				
Ba-P1R			x1				
Ba-P2L			x1				
Ba-P2R			x1				
Ba-P3L			x1				
Ba-P3R			x1				
Ba-P5			x1				
Ba-H26		ST4x10	x4				
Ba-H27		M6x12	x60				
Ba-H28		M6	x60				
Ba-H29		ST4x24	x8				
Ba-H30		M6	x22				
Ba-H31		M6	x22				
Ba-H32		ST5.5x40	x22				
Ba-H33		ST4x20	x42				
Ba-H34		M6	x68				

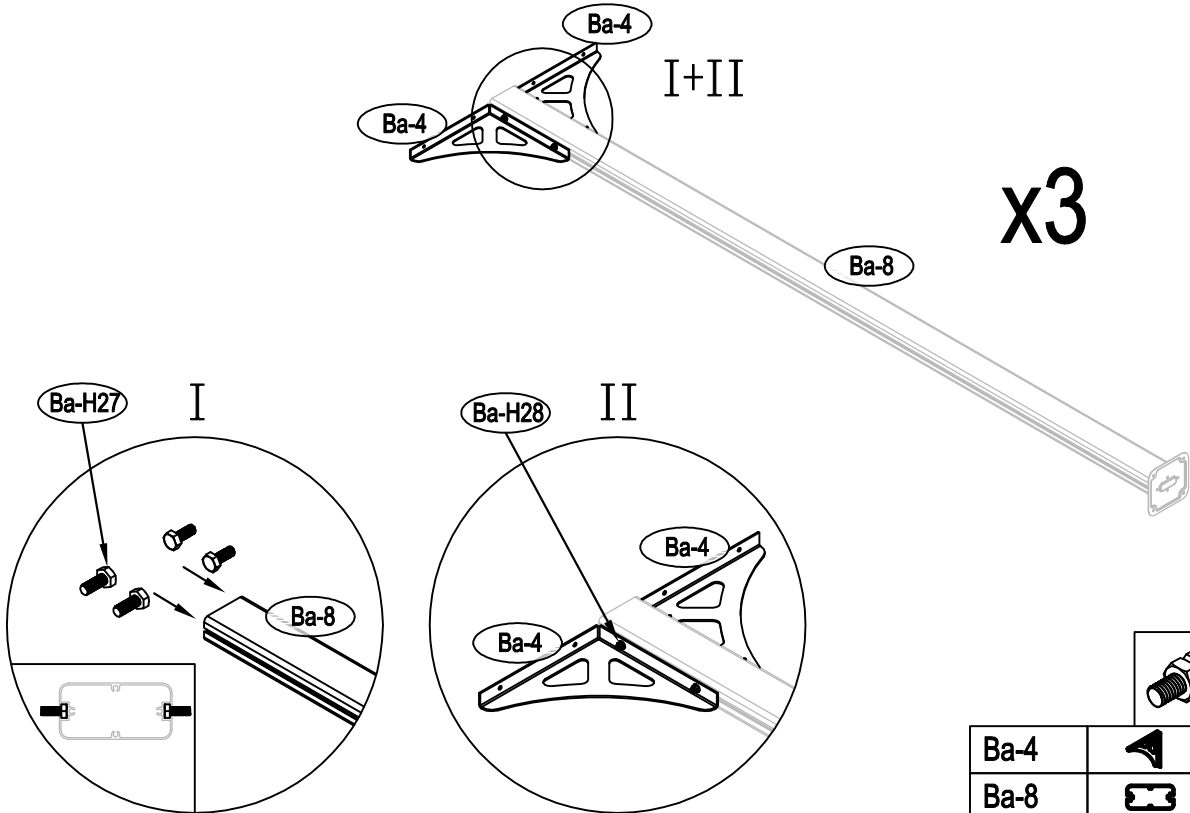


1



Ba-1		x3
Ba-8		x3
Ba-H33		x12

2

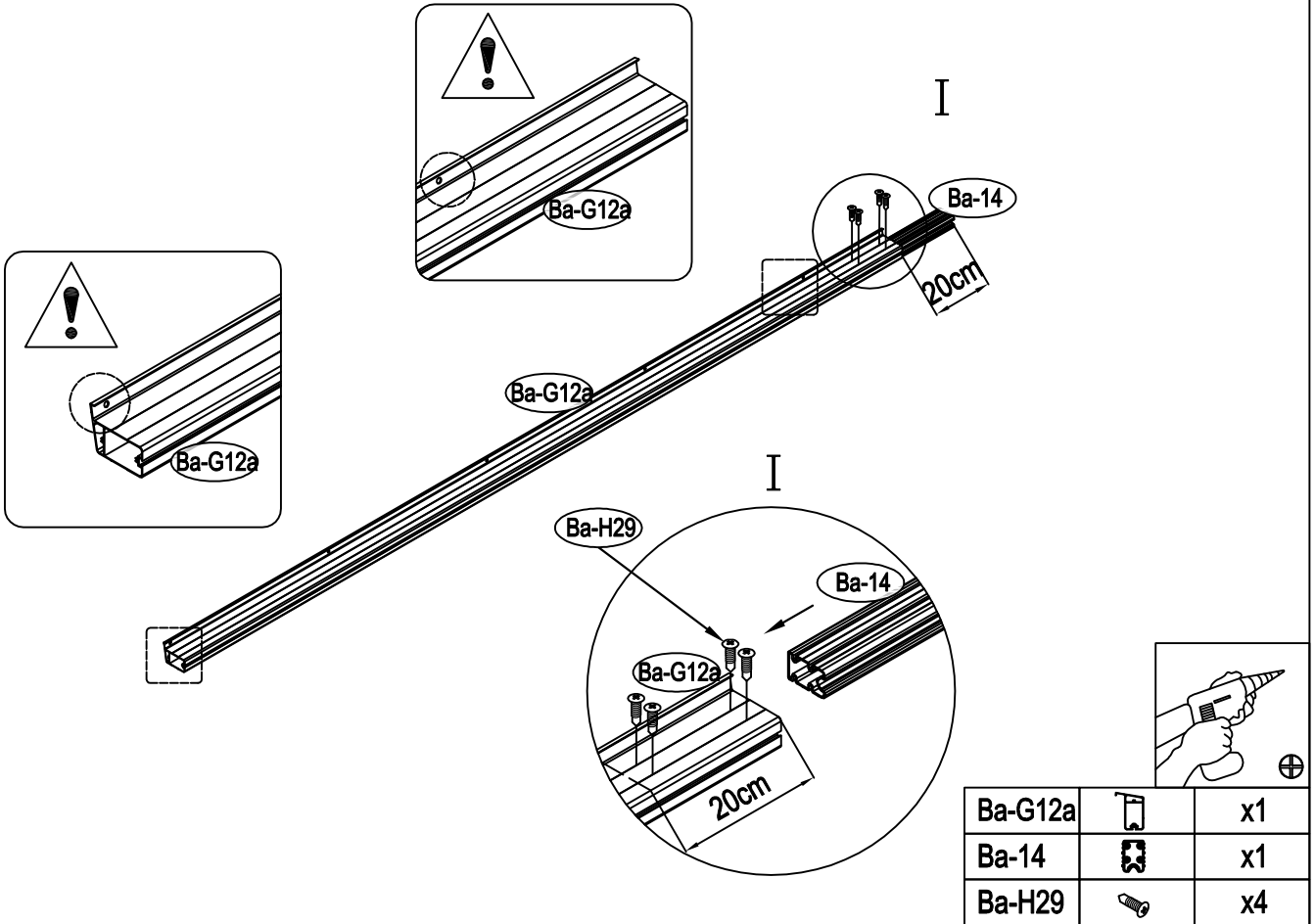


Ba-4		x6
Ba-8		x3
Ba-H27		x12
Ba-H28		x12

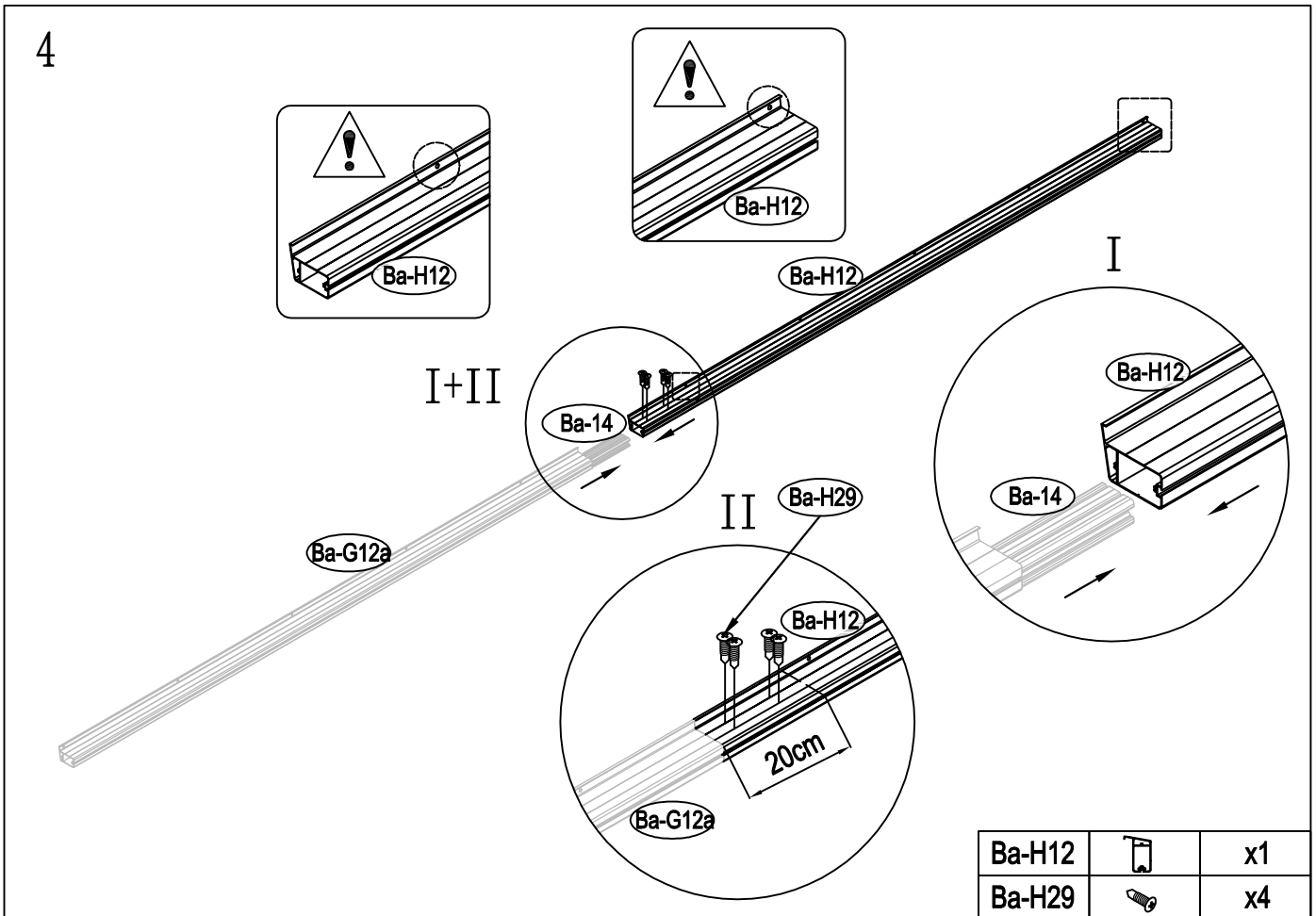
1



3



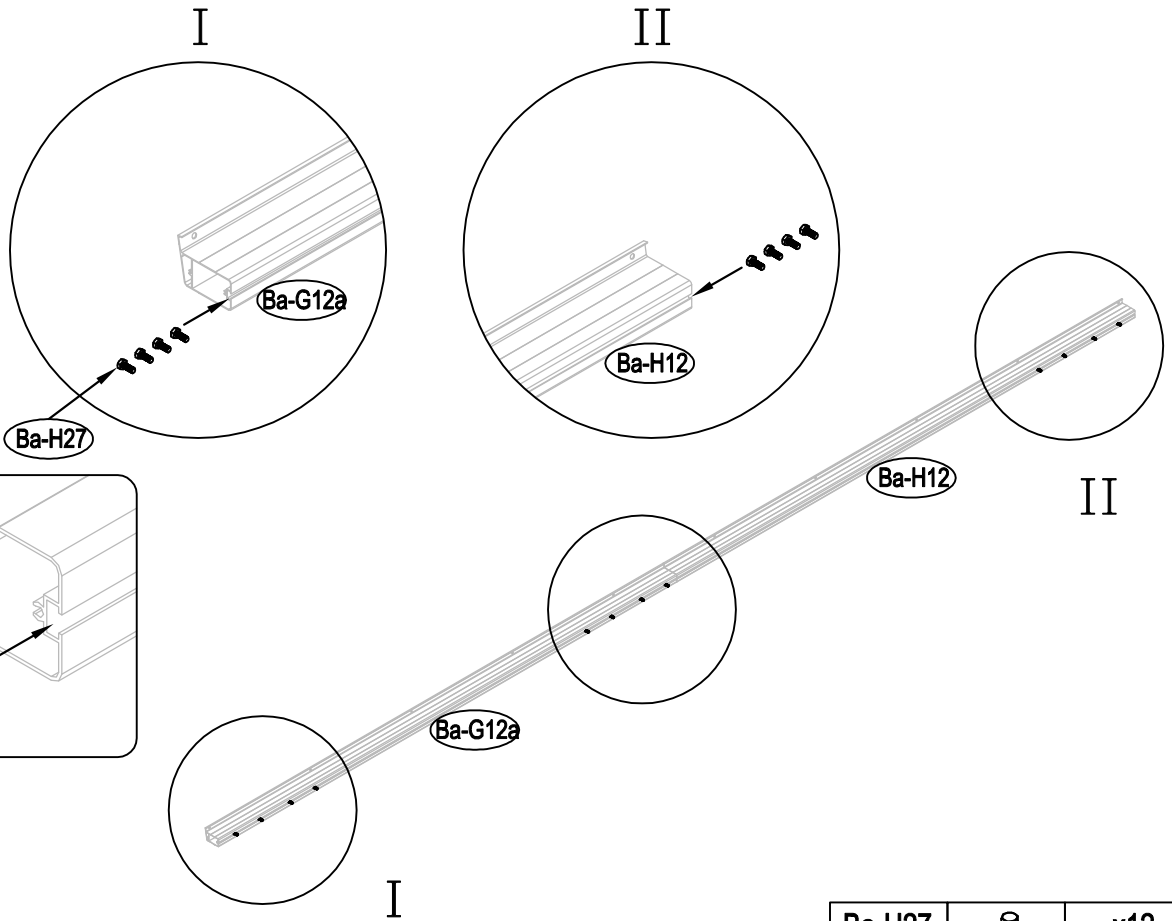
4



2

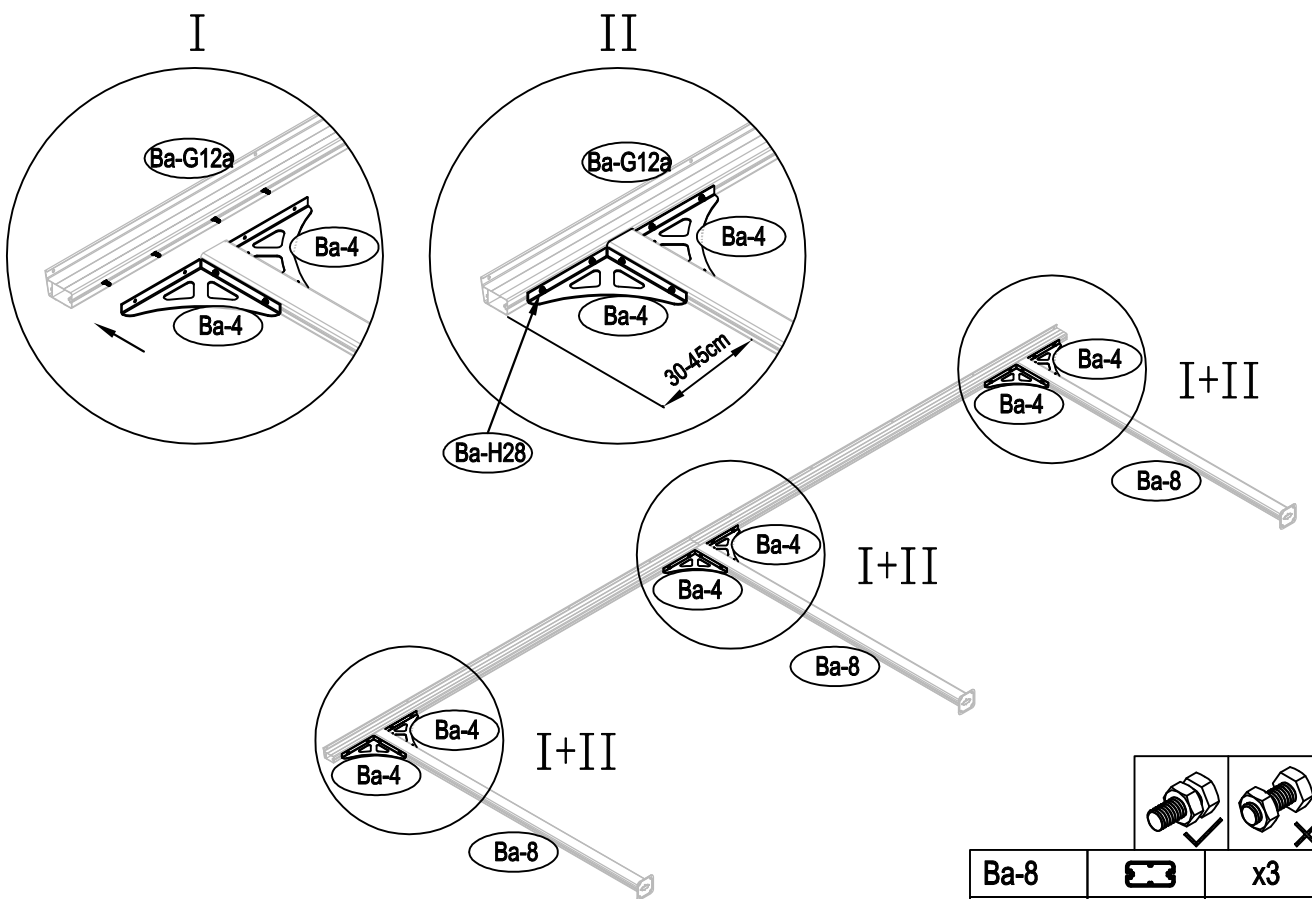


5



Ba-H27		x12
--------	--	-----

6



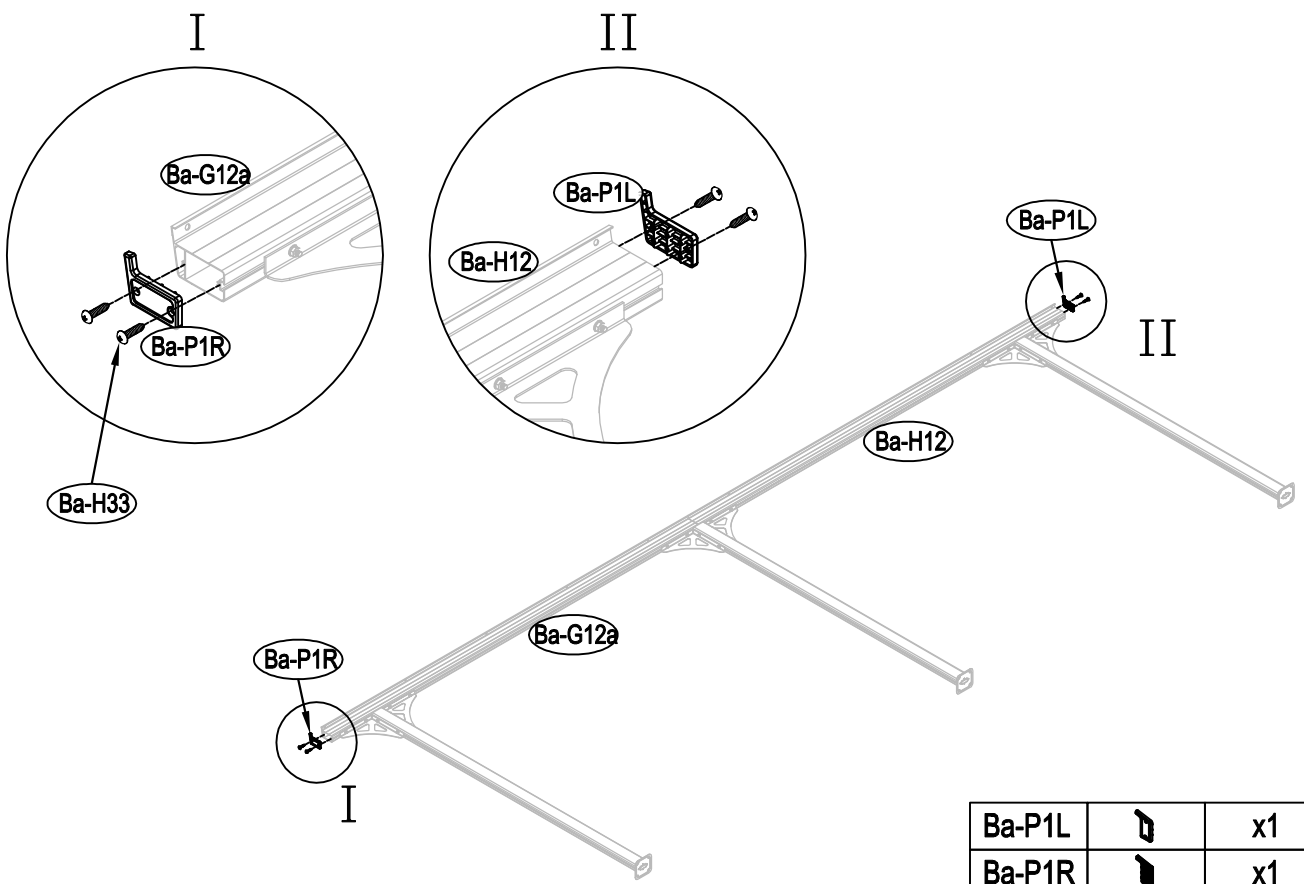
Ba-8		x3
Ba-H28		x12

3



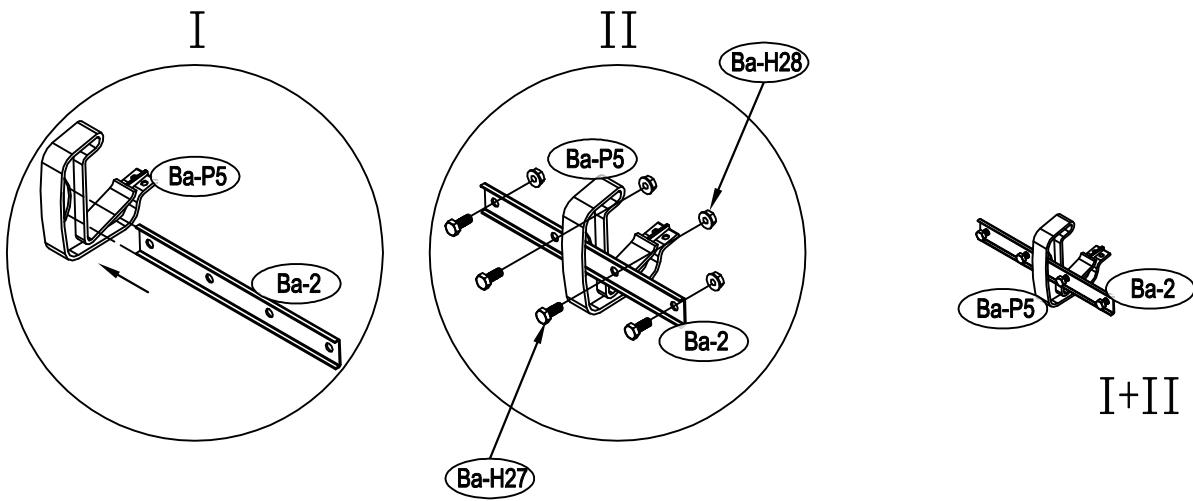


7



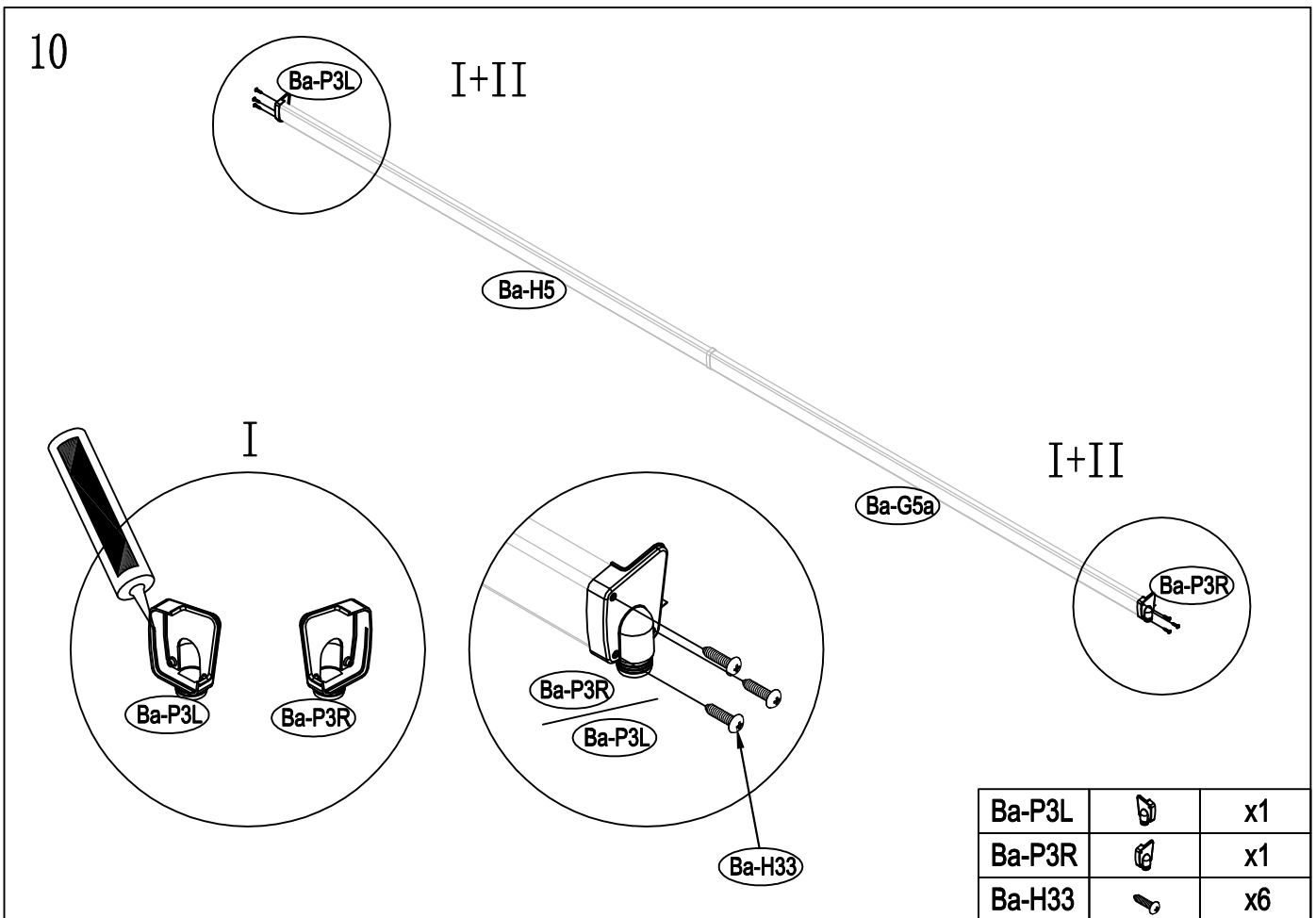
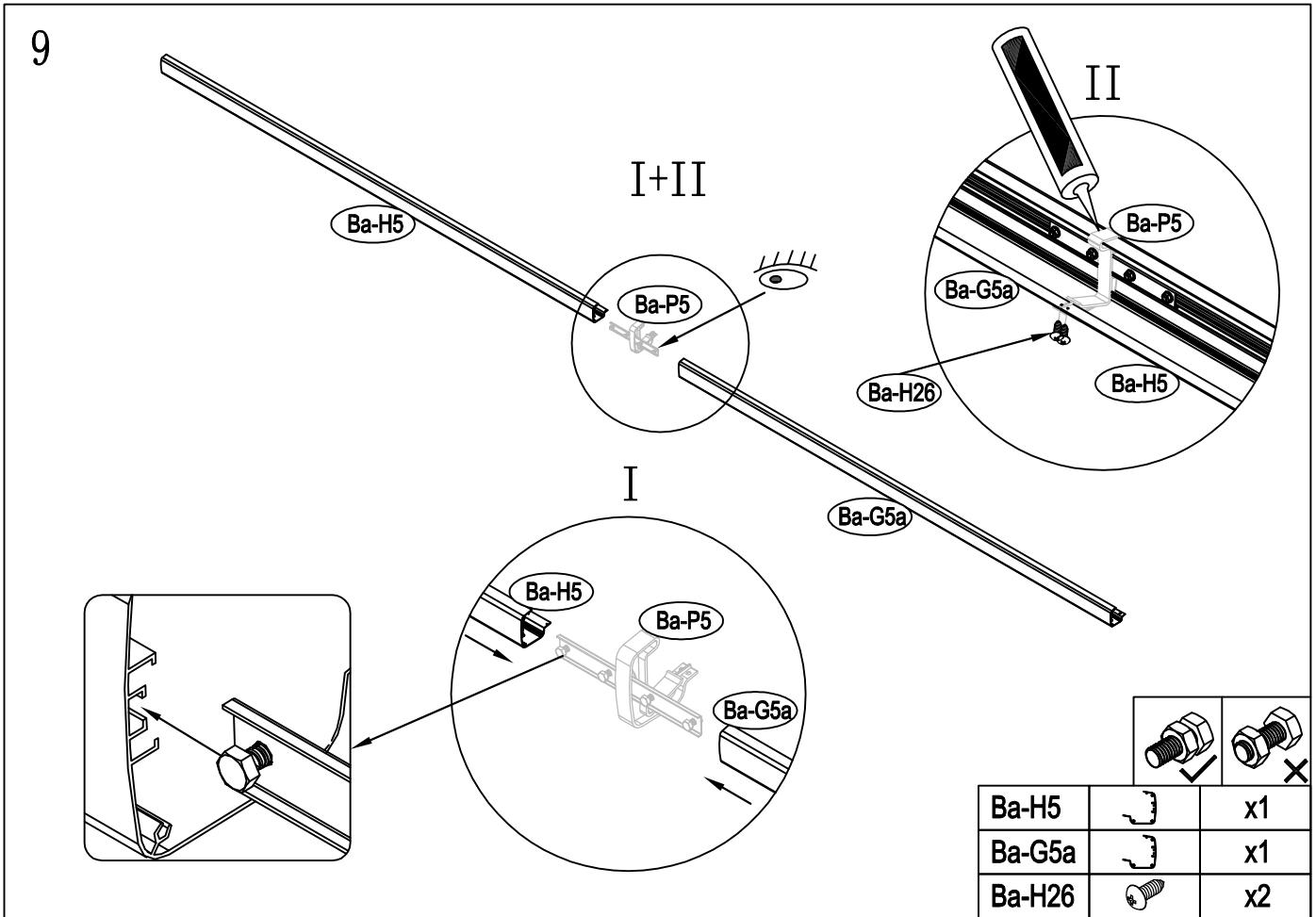
Ba-P1L		x1
Ba-P1R		x1
Ba-H33		x4

8

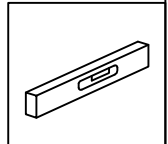
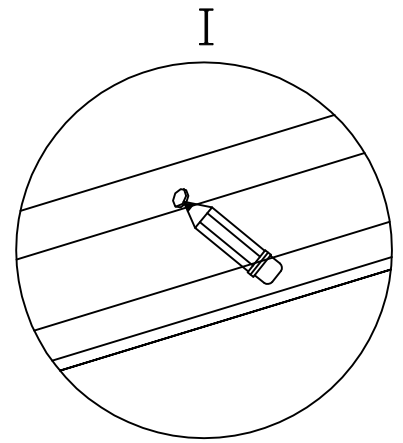
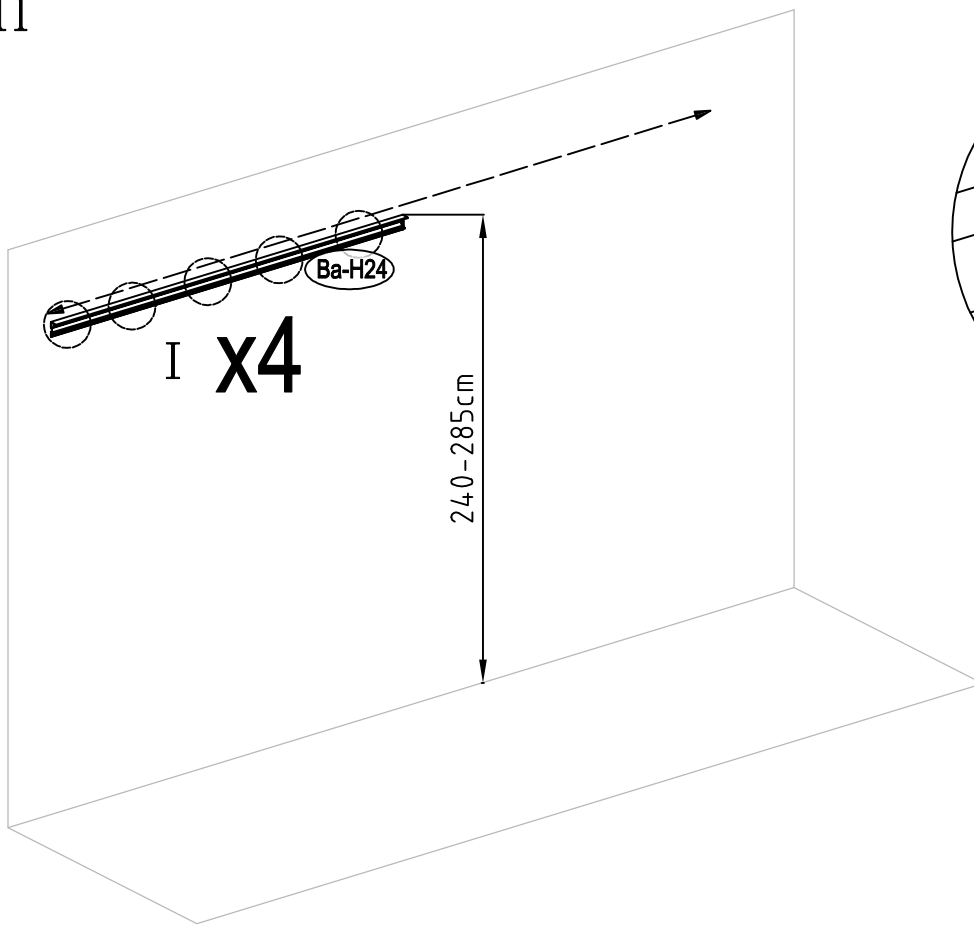



Ba-2		x1
Ba-P5		x1
Ba-H27		x4
Ba-H28		x4



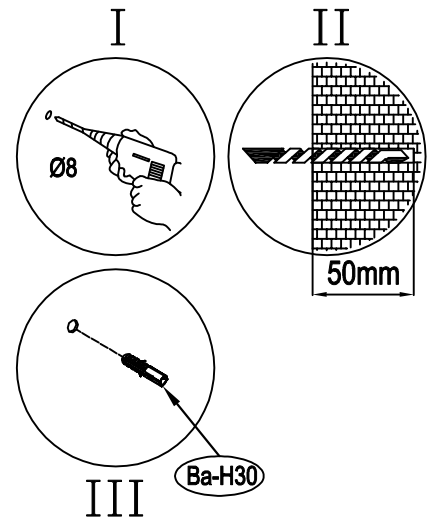
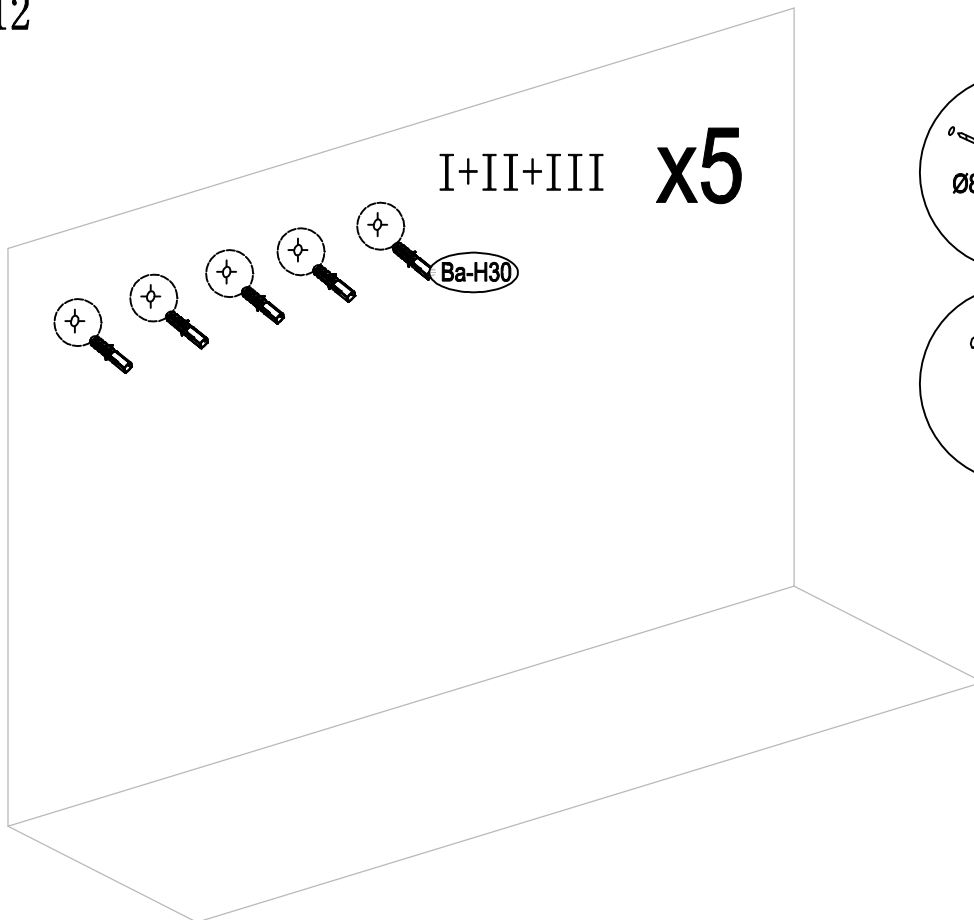


11



Ba-H24		x1
--------	---	----

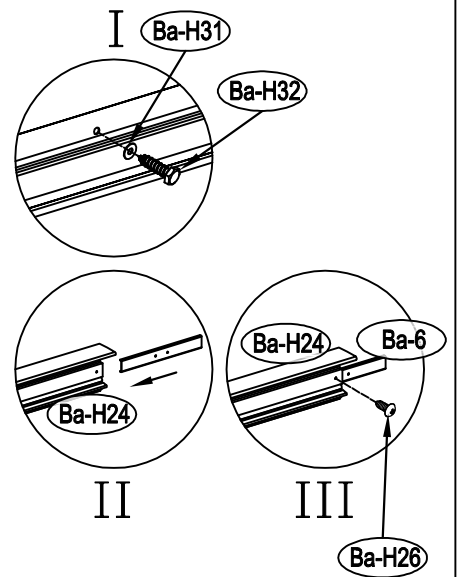
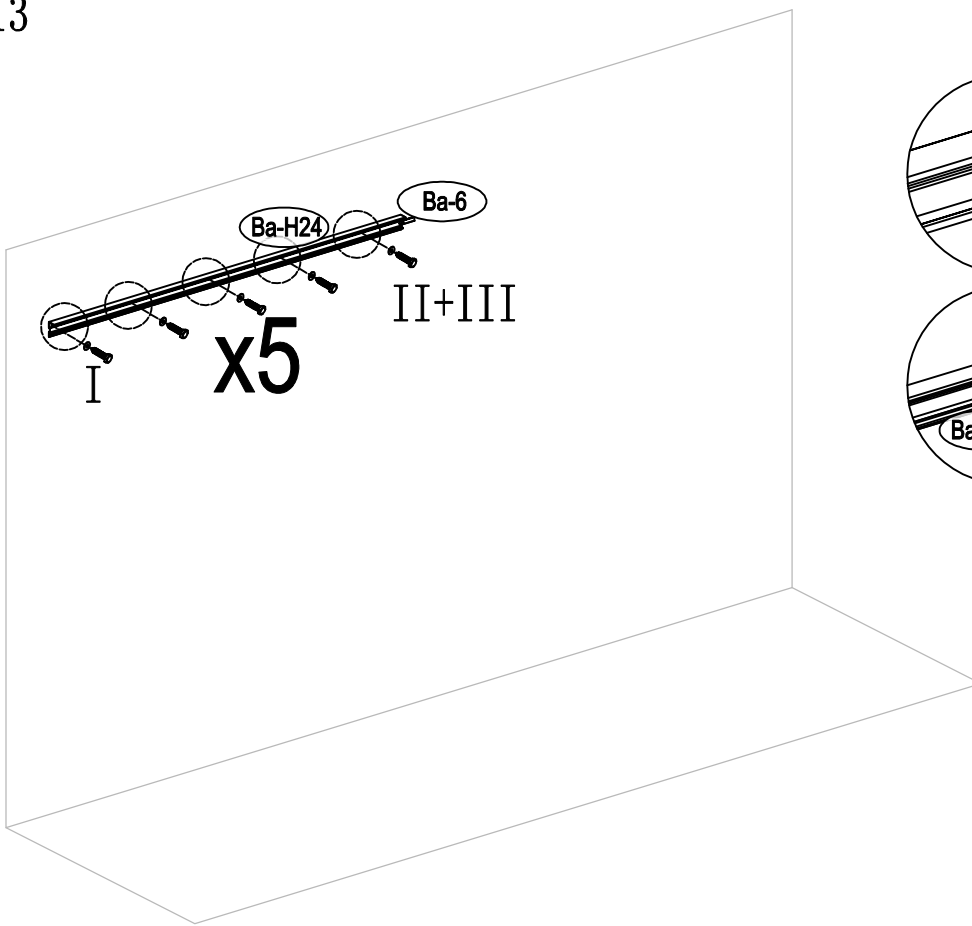
12







Ba-H30		x5
--------	---	----

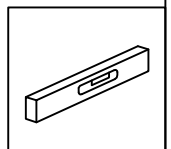
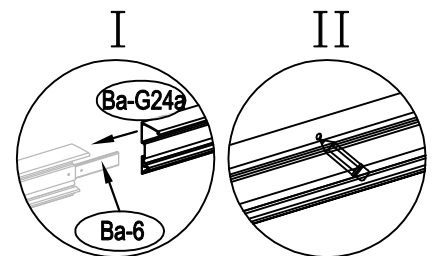
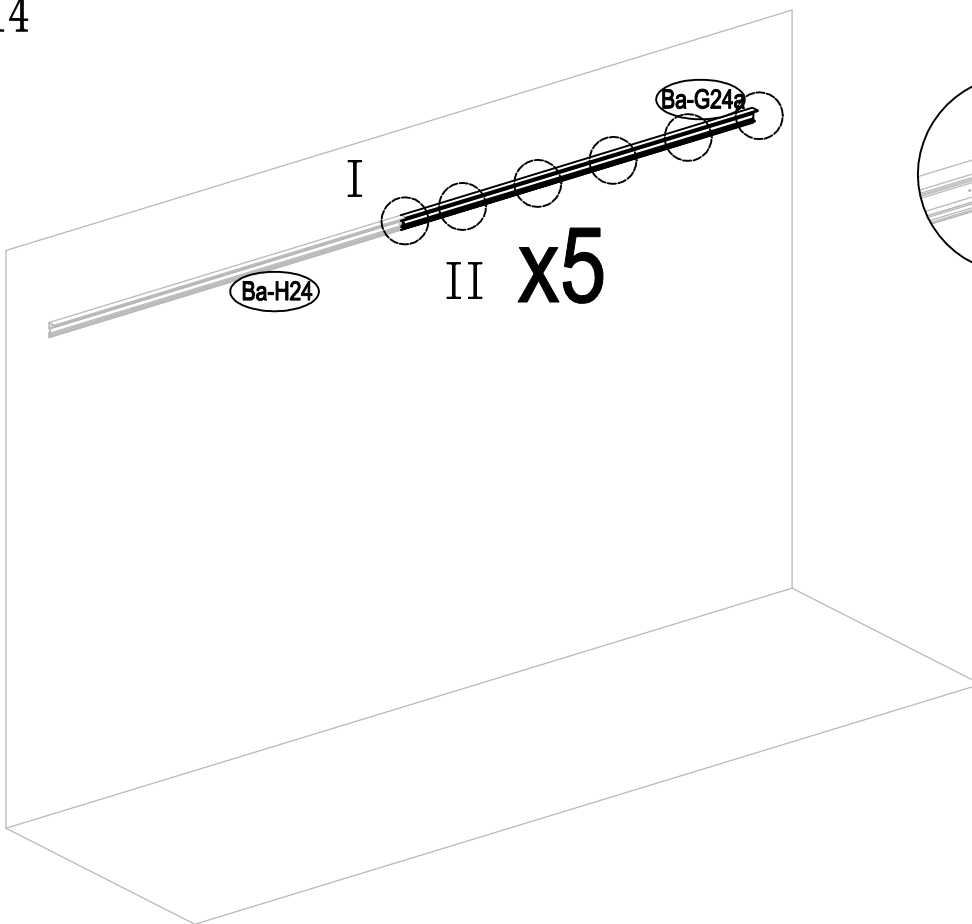


13



Ba-6		x1
Ba-H26		x1
Ba-H31		x5
Ba-H32		x5

14

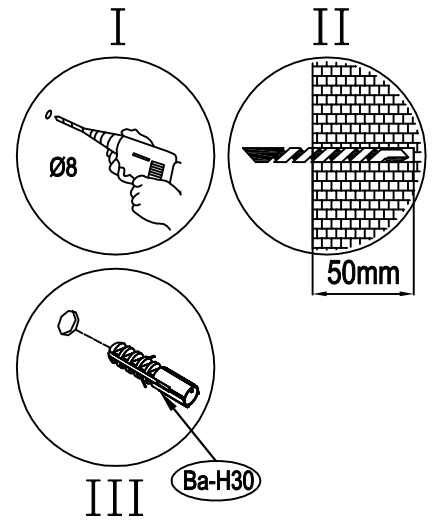
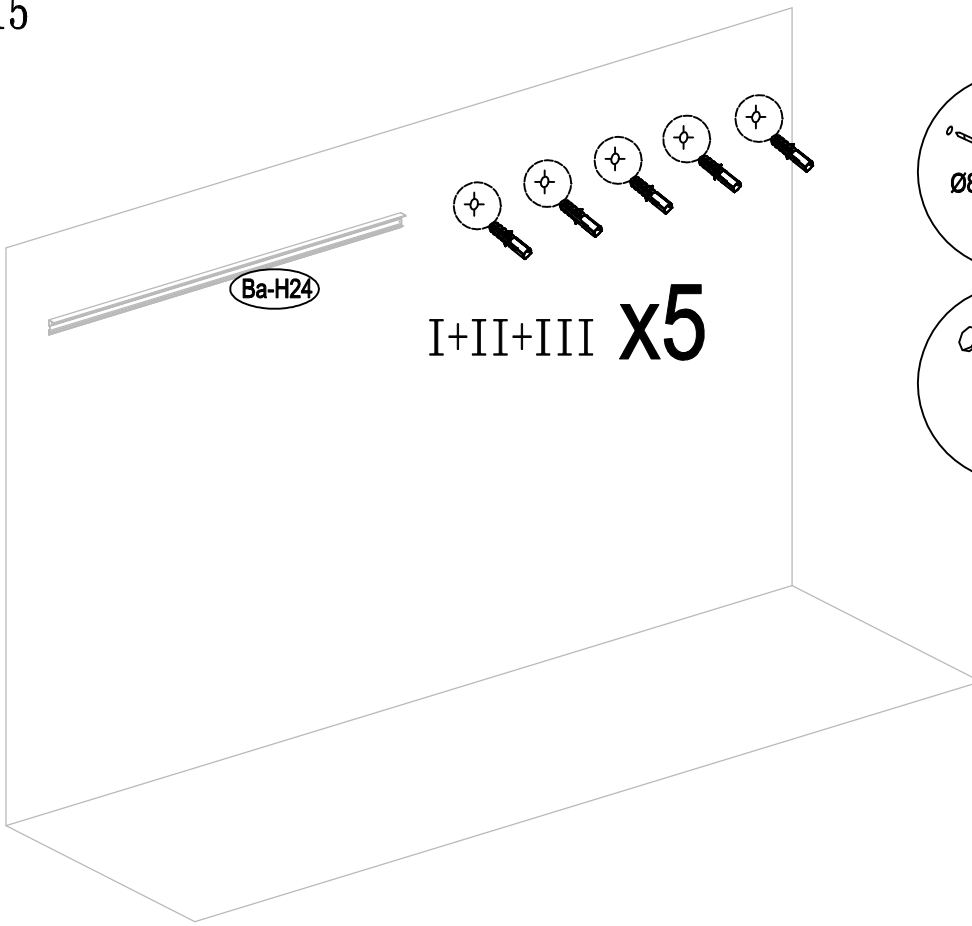


Ba-G24a		x1
---------	---	----

7

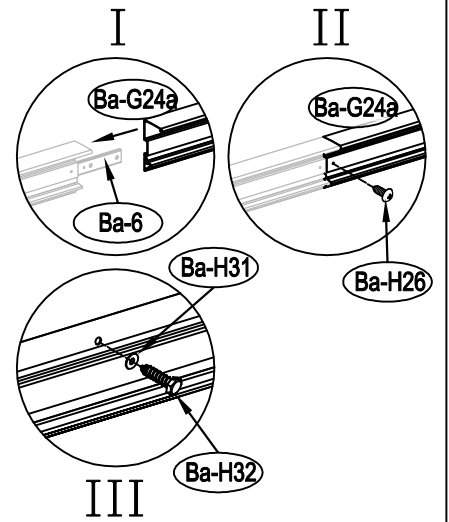
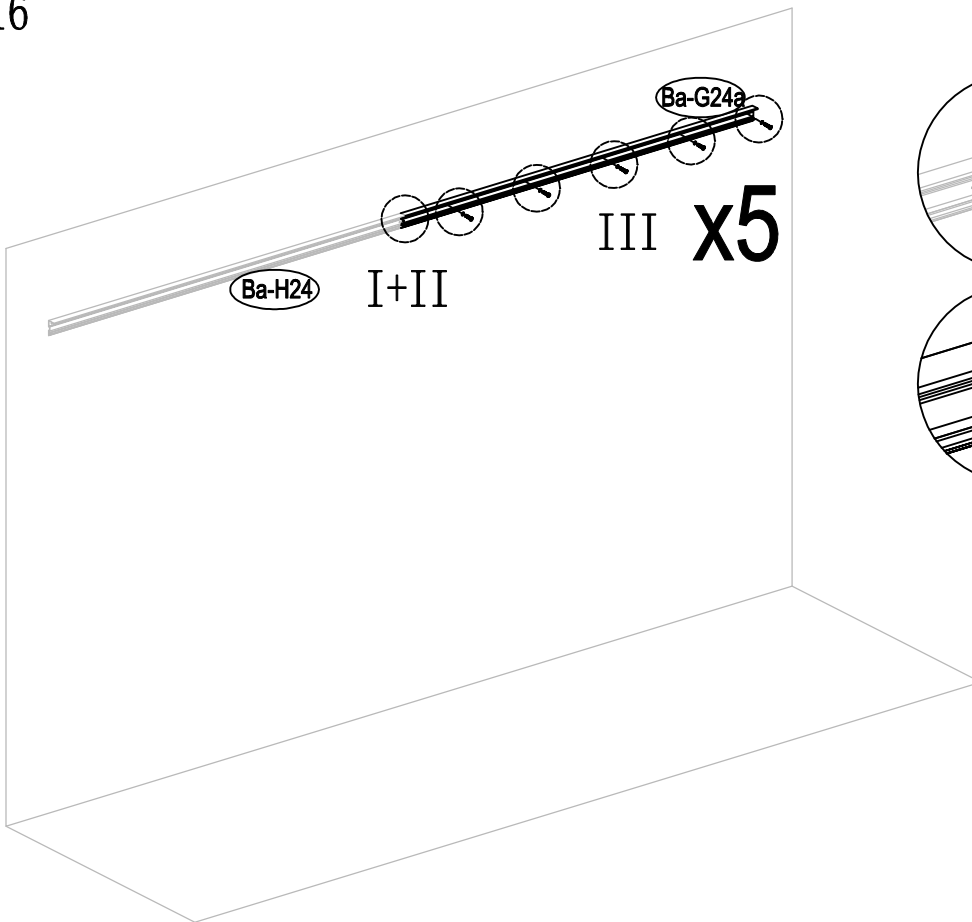






15



Ba-H30		x5
--------	---	----

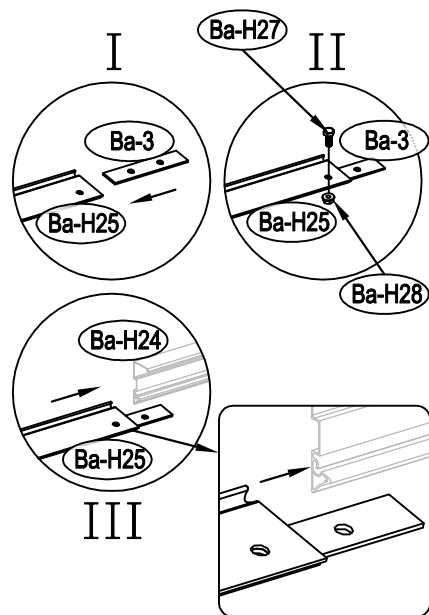
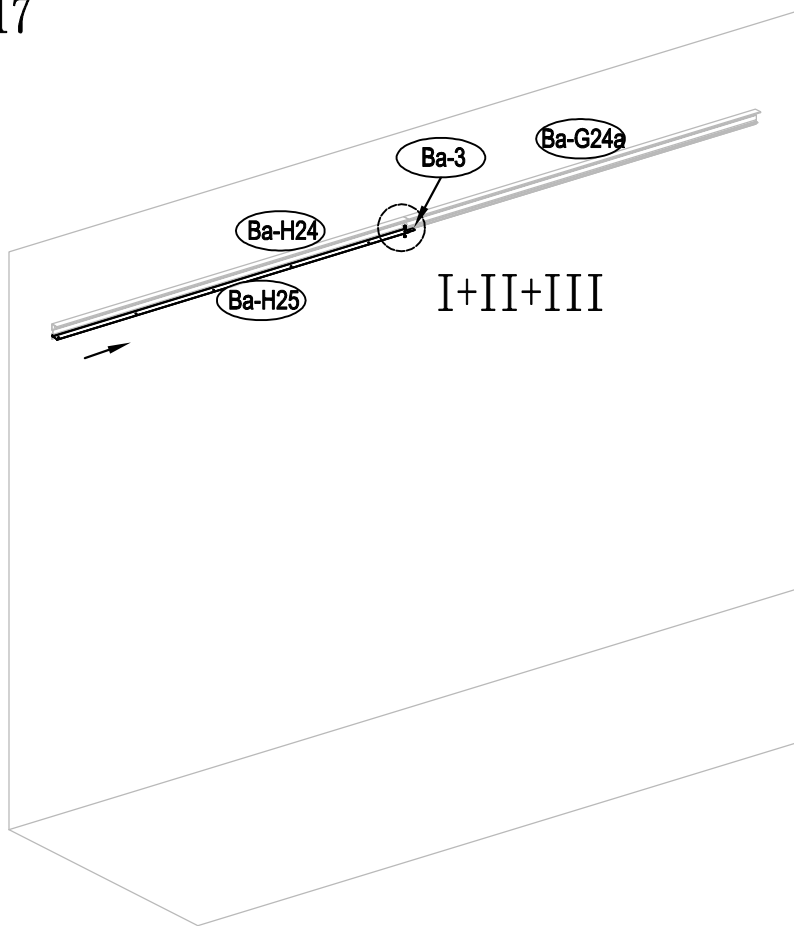
16







Ba-G24a		x1
Ba-H26		x1
Ba-H31		x5
Ba-H32		x5

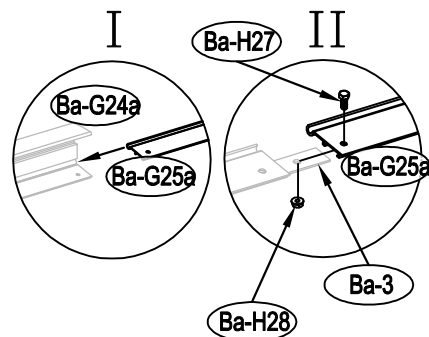
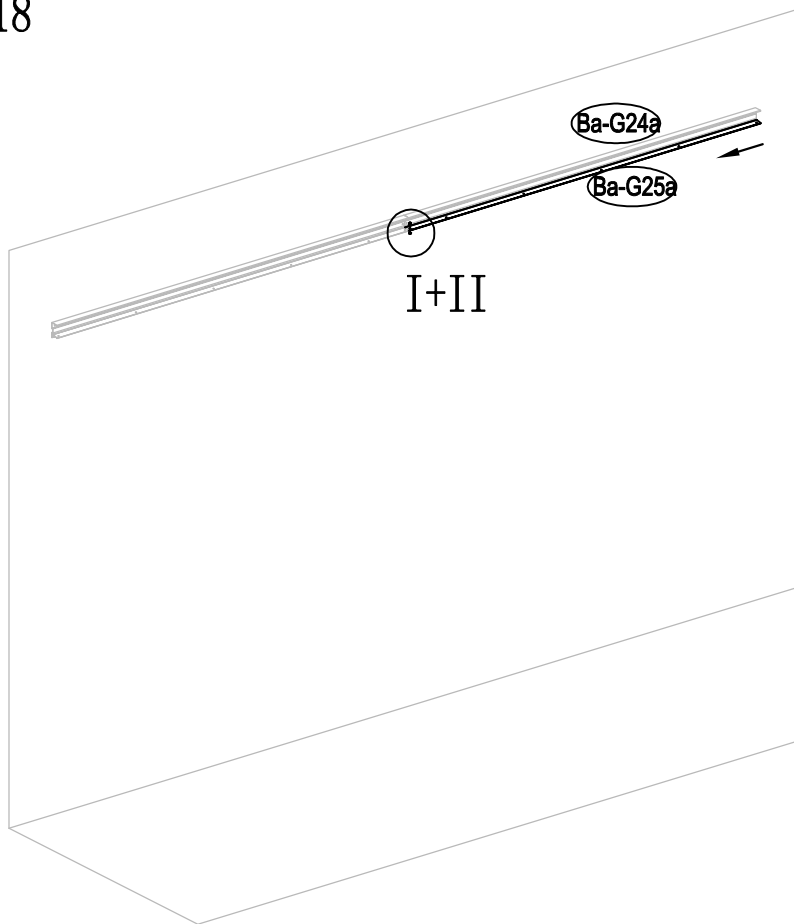


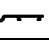


17



Ba-3		x1
Ba-H25		x1
Ba-H27		x1
Ba-H28		x1

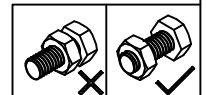
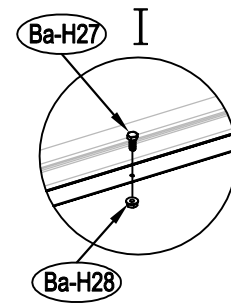
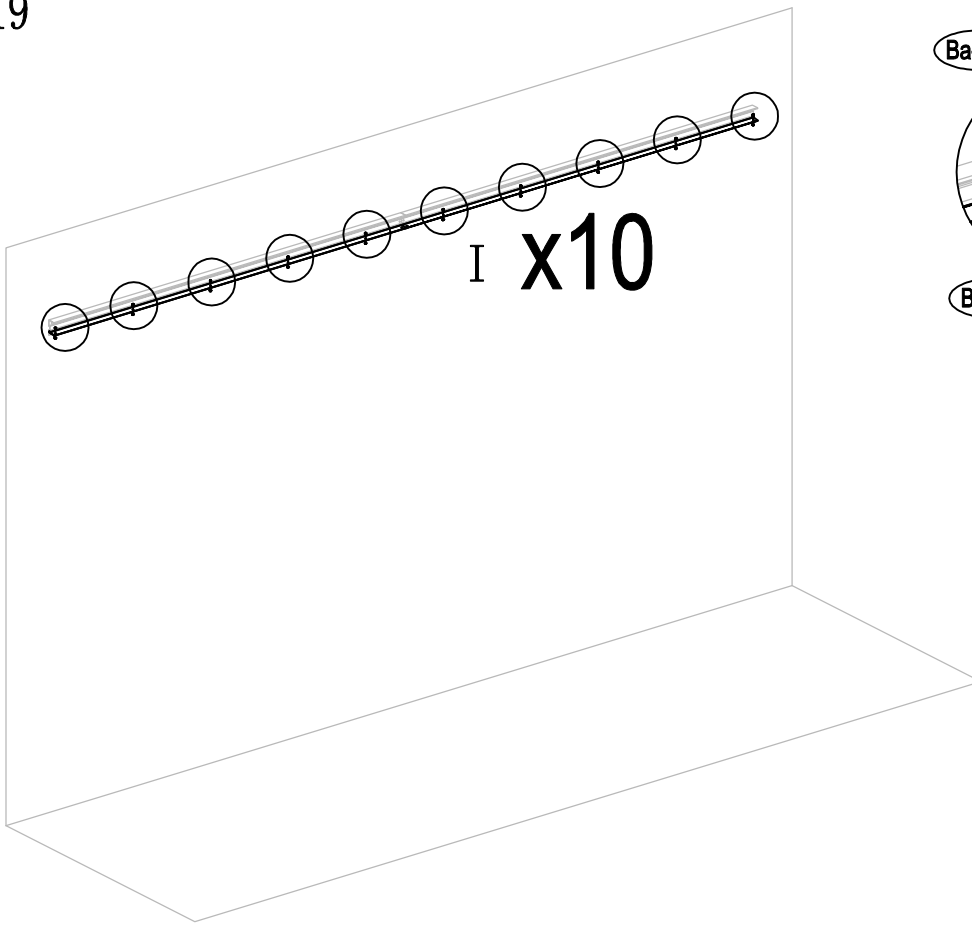
18




Ba-G25a		x1
Ba-H27		x1
Ba-H28		x1

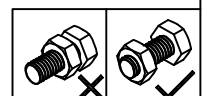
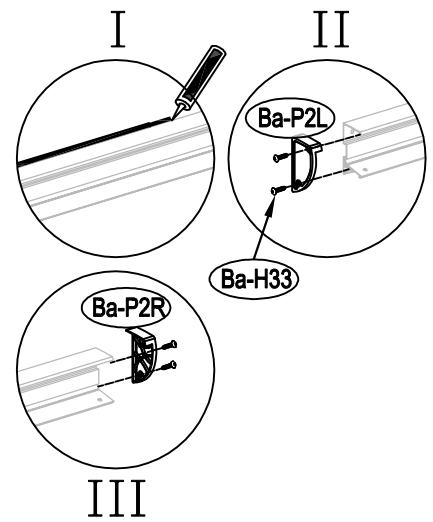
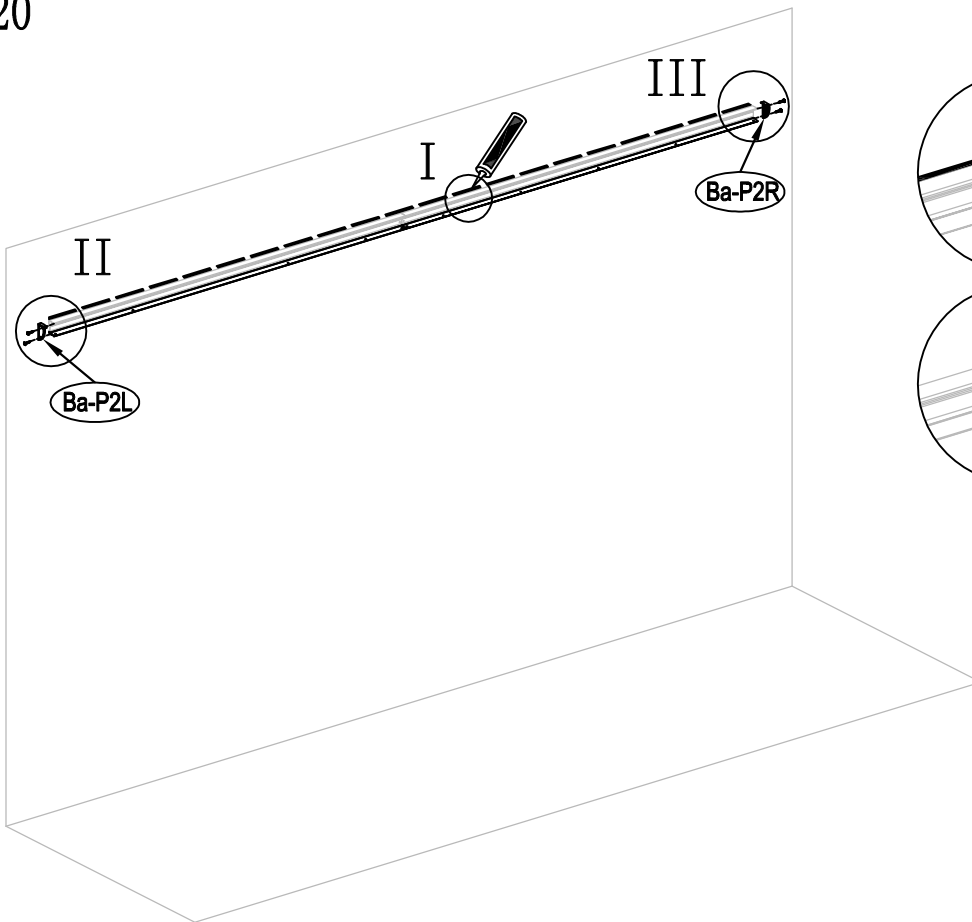


19



Ba-H27		x10
Ba-H28		x10

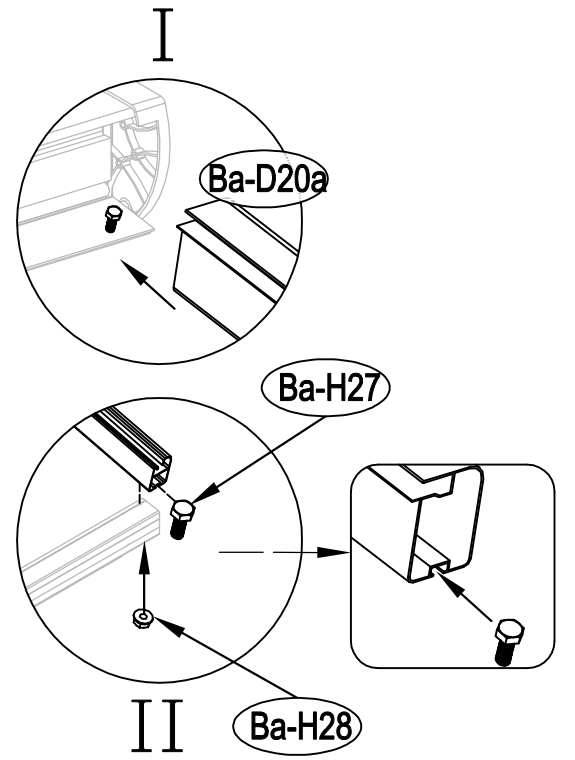
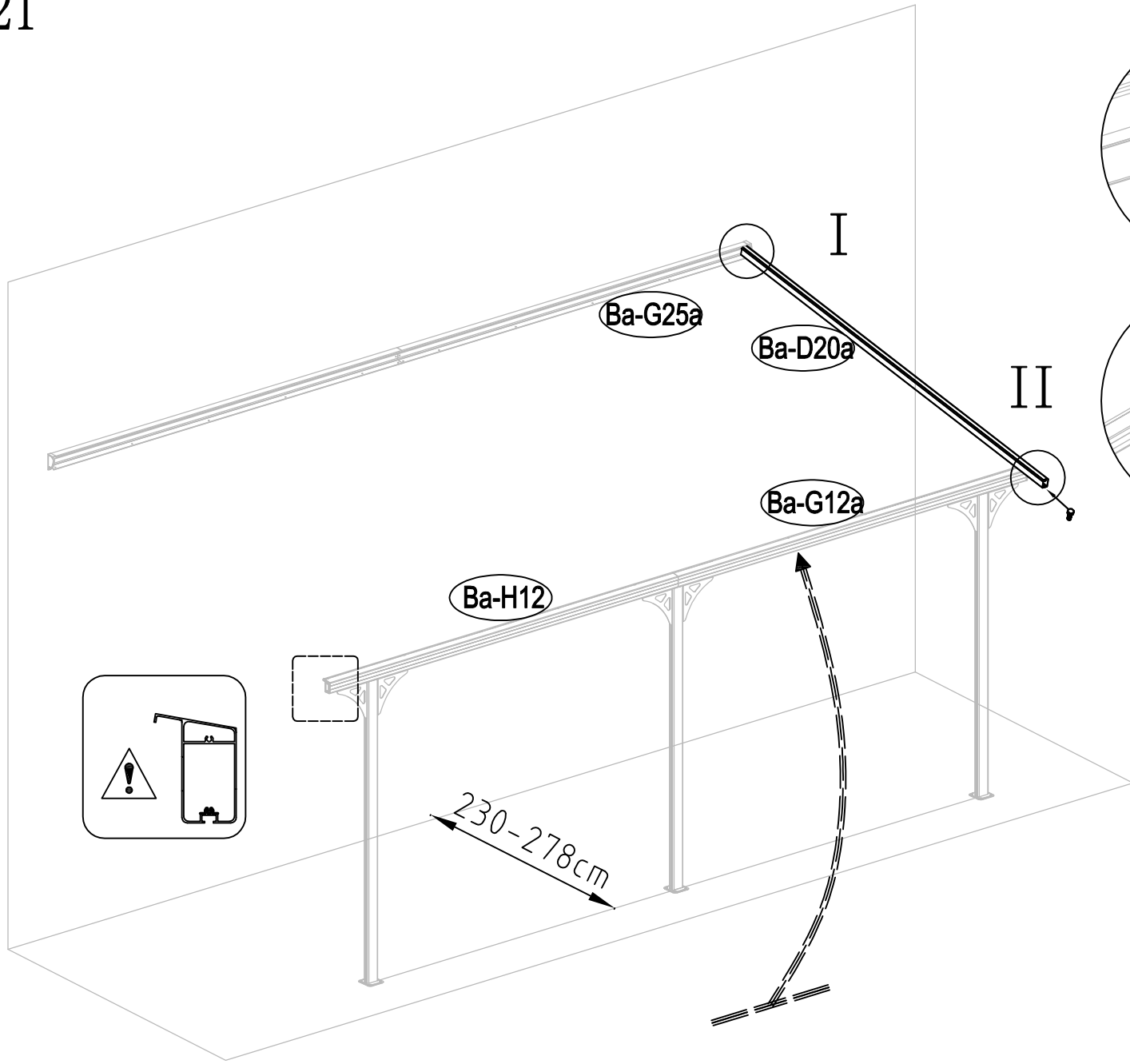
20



Ba-P2L		x1
Ba-P2R		x1
Ba-H33		x4

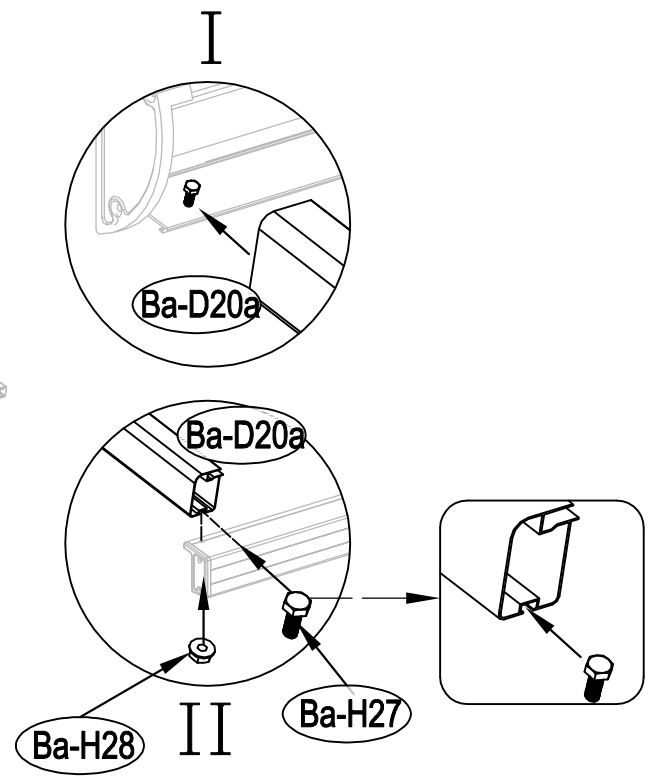
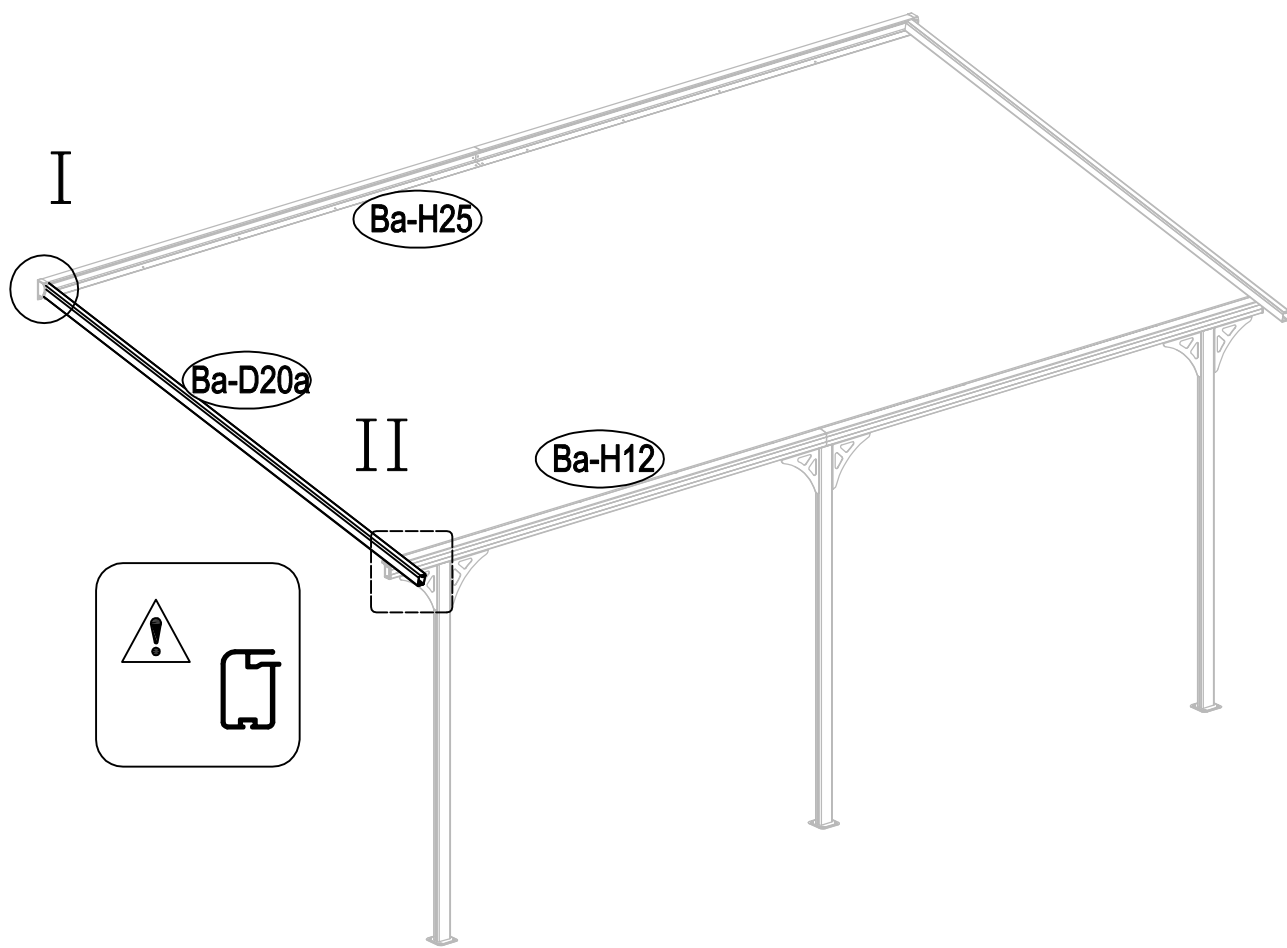


21



Ba-D20a	x1		
Ba-H27		x1	
Ba-H28			x1

22

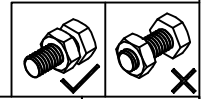
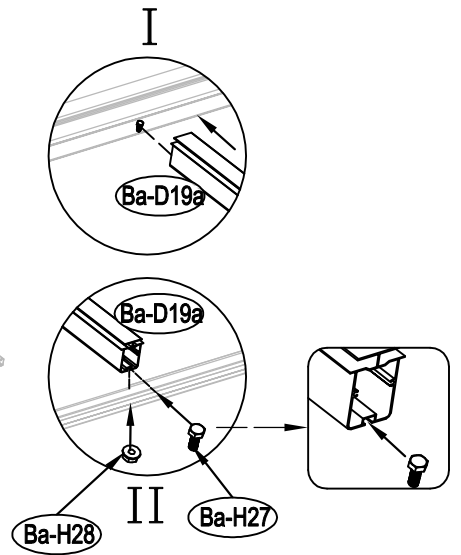
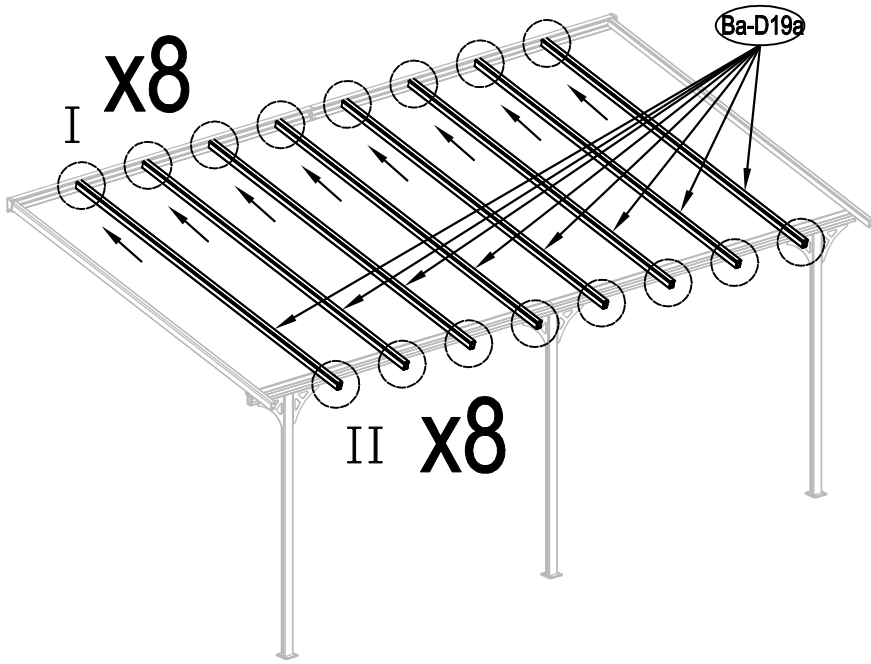


Ba-D20a	x1		
Ba-H27		x1	
Ba-H28			x1



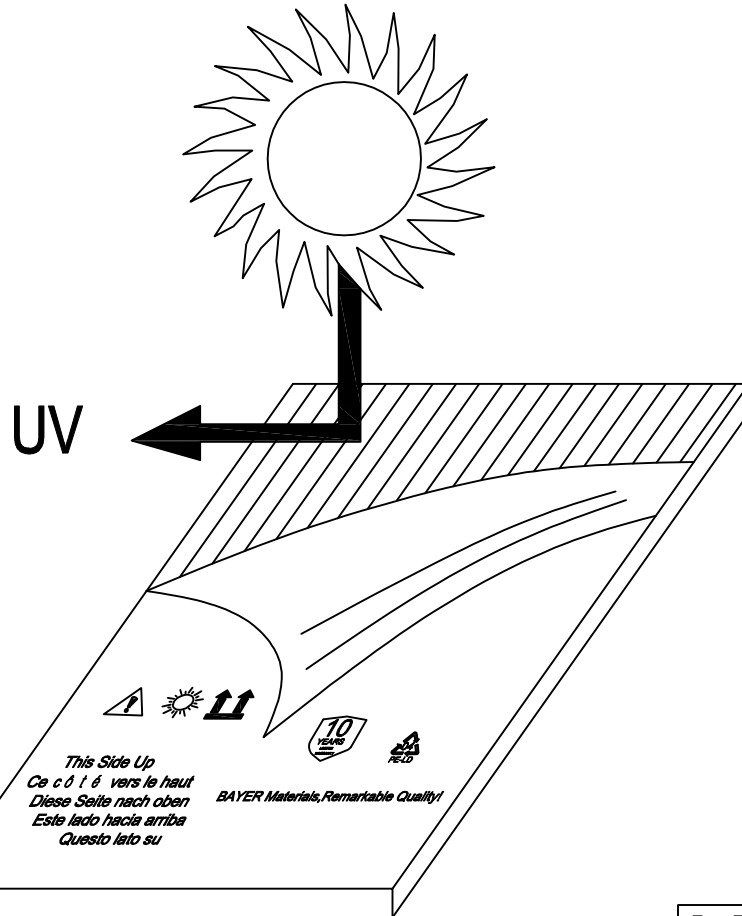


23



Ba-D19a		x8
Ba-H27		x8
Ba-H28		x8

24

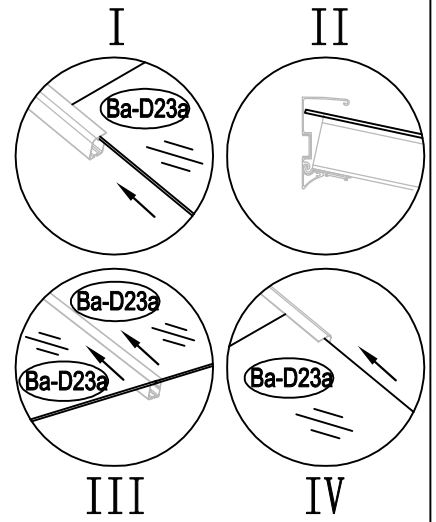
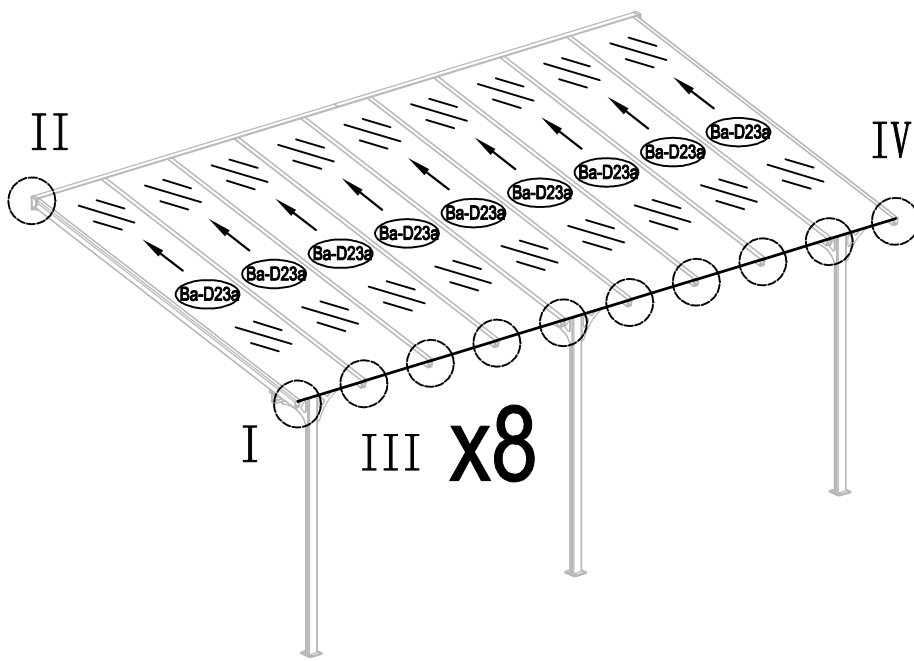


Ba-D23a		x9
---------	--	----

12

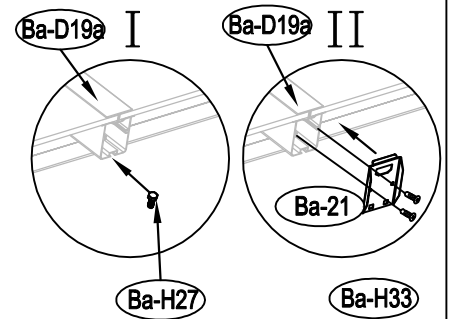
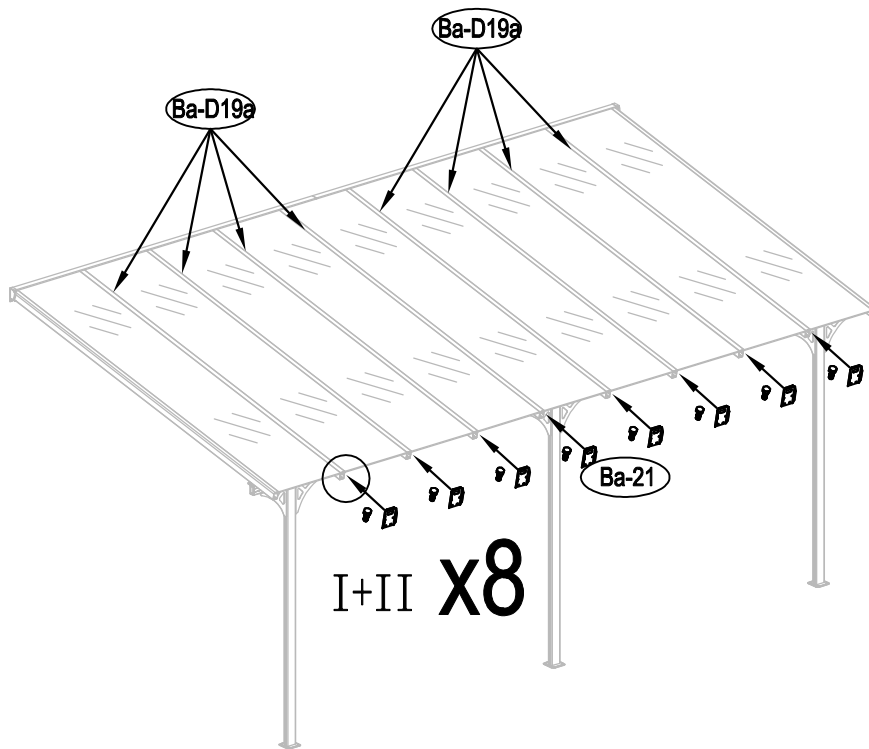





25



Ba-D23a		x9
---------	---	----

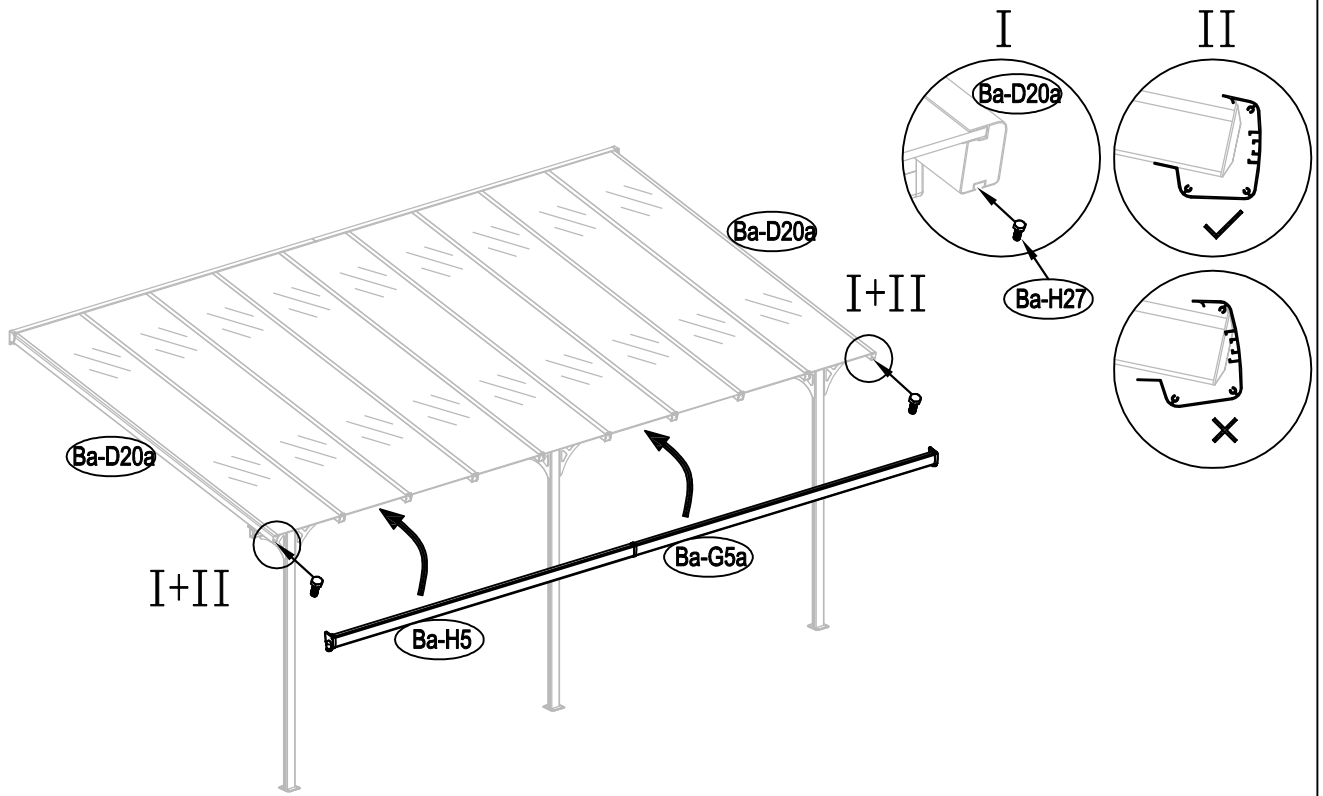
26



Ba-21		x8
Ba-H27		x8
Ba-H33		x16

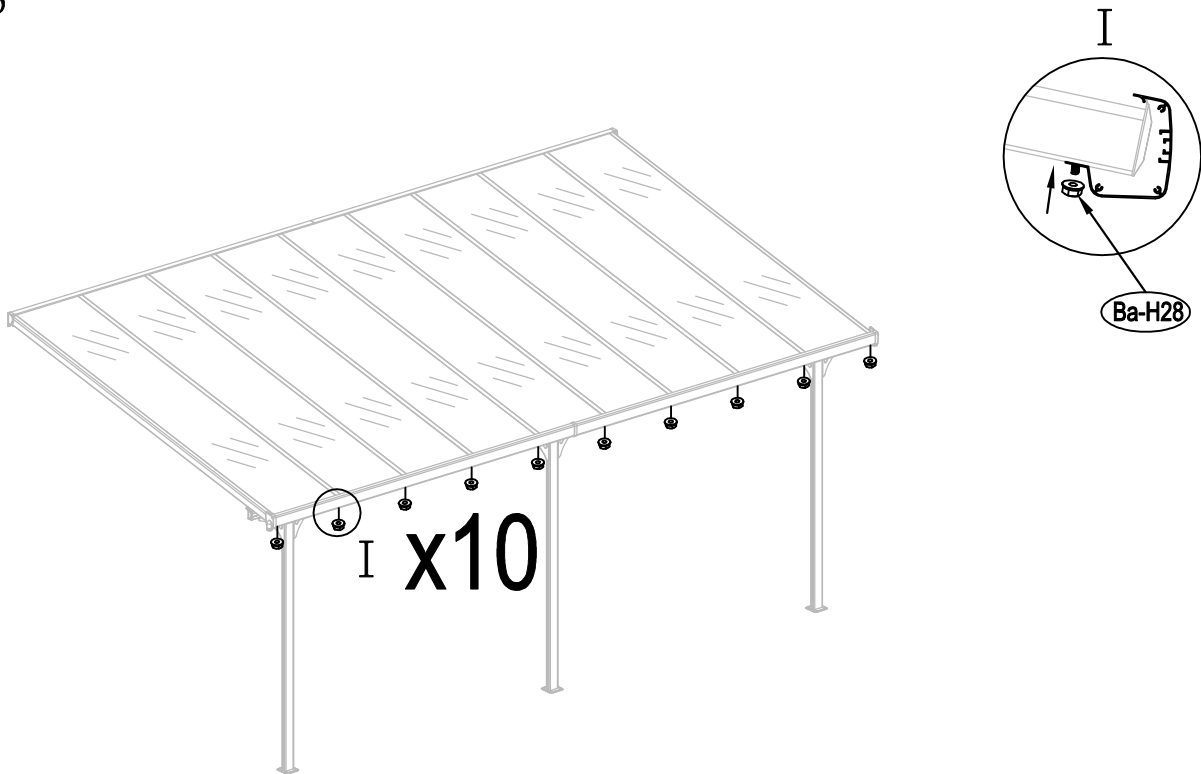


27



Ba-H27		x2
--------	--	----

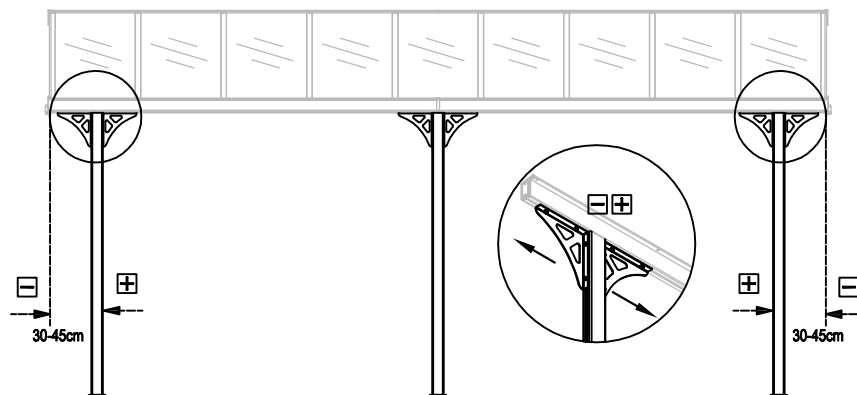
28



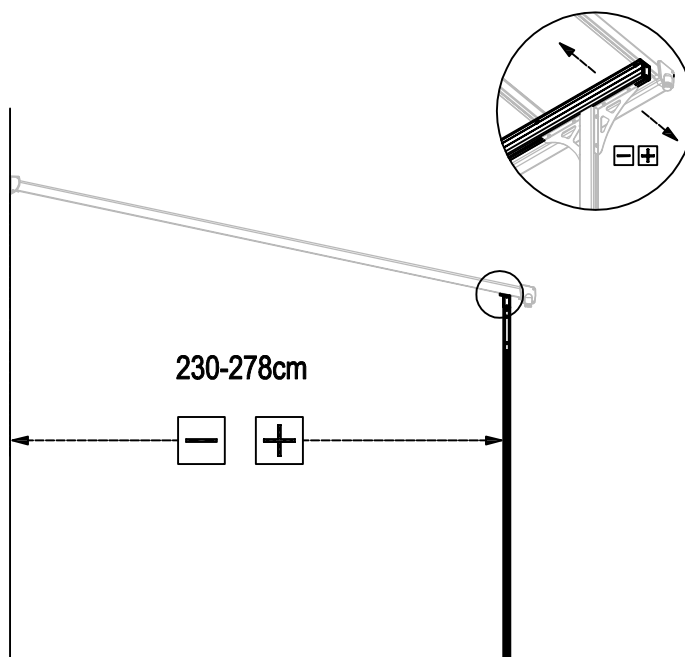
Ba-H28		x10
--------	--	-----



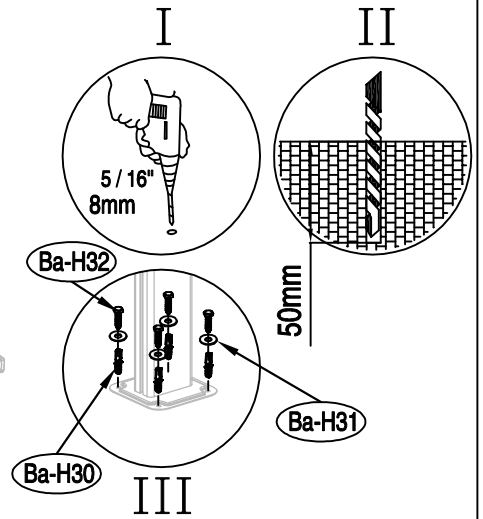
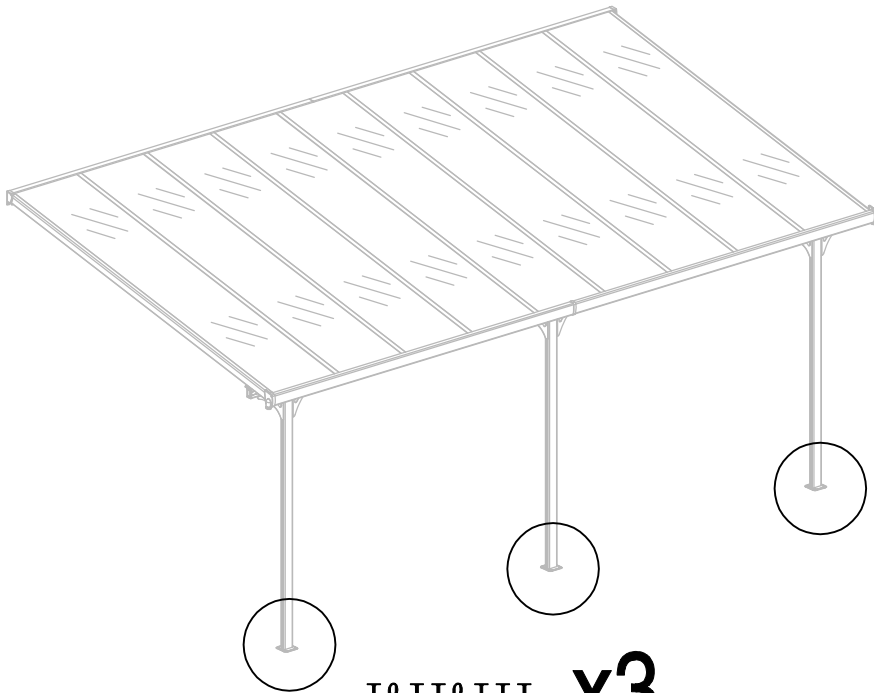
29



30



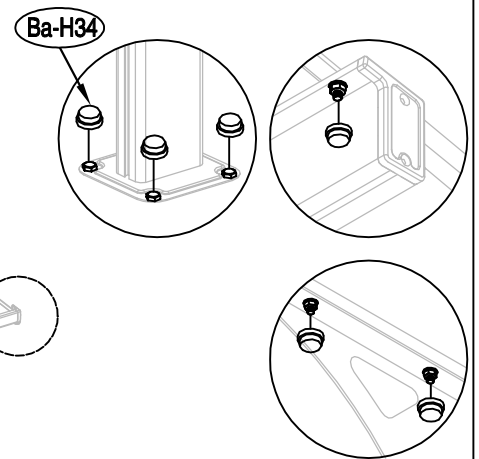
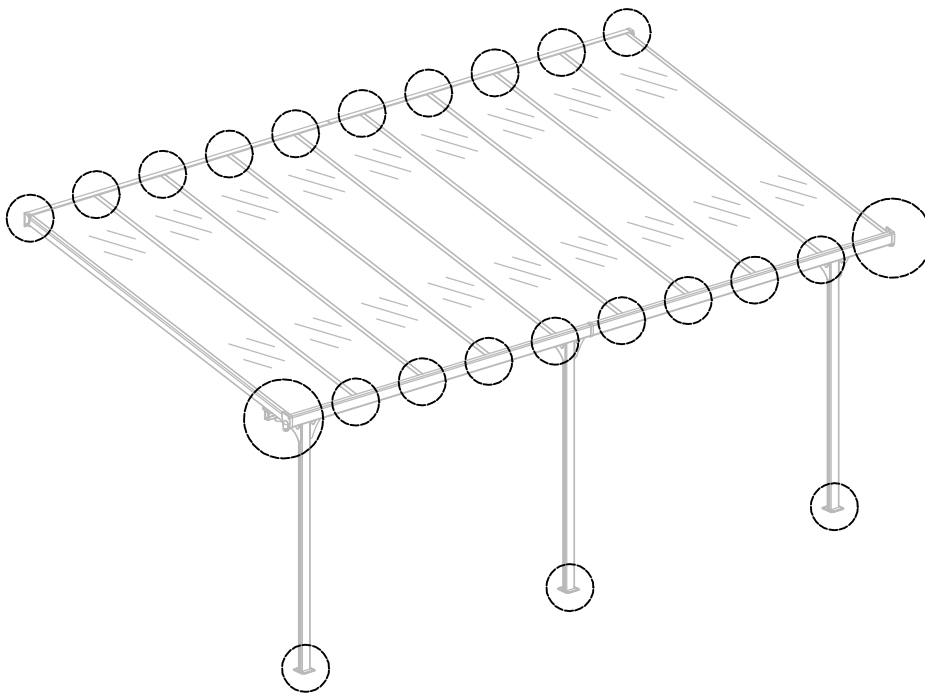
31



I&II&III **x3**

Ba-H30		x12
Ba-H31		x12
Ba-H32		x12

32



Ba-H34		x68
--------	--	-----

